

CONTROL LEVER

with RACK 900 SERIES

This is a series of control levers with robust and essential design, based on a rack and pinion mechanism, indicated for heavy duty applications.

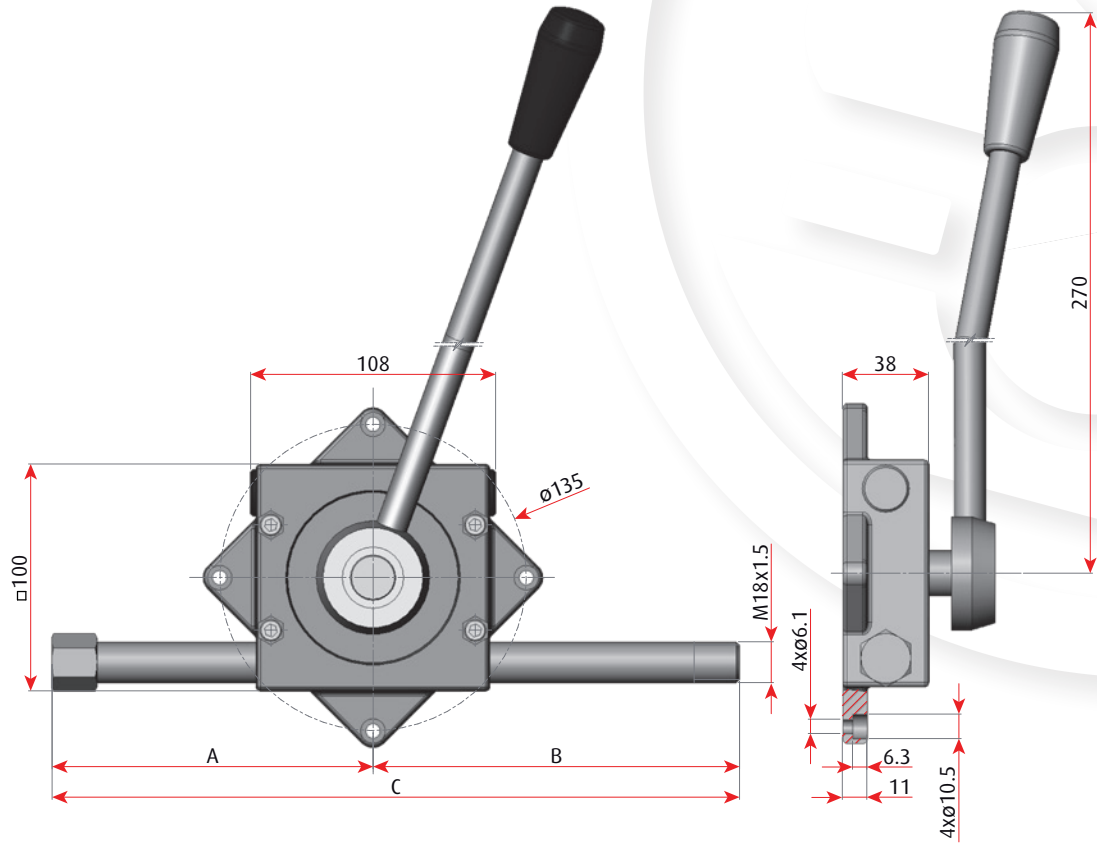


STROKE	A	B	C
50	90	110	200
70	110	130	240
100	140	152	292
125	168	177	342
150	190	202	392

Control levers Series 900 are suitable to command winches, very heavy gearboxes, big and small cranes.

Control lever Series 900 are available with single lever (one cable can be connected), with single lever + locking device, with two levers (two cables can be connected) and with two levers + locking device.

DIMENSIONS

**Flexball Italiana S.r.l.**

Via San Luigi 13/A - 10043 Orbassano (To) - Italy

Tel 0039.011 90.38.900 - Fax 0039.011 90.38.747

info@flexballitaliana.com

www.flexballitaliana.com