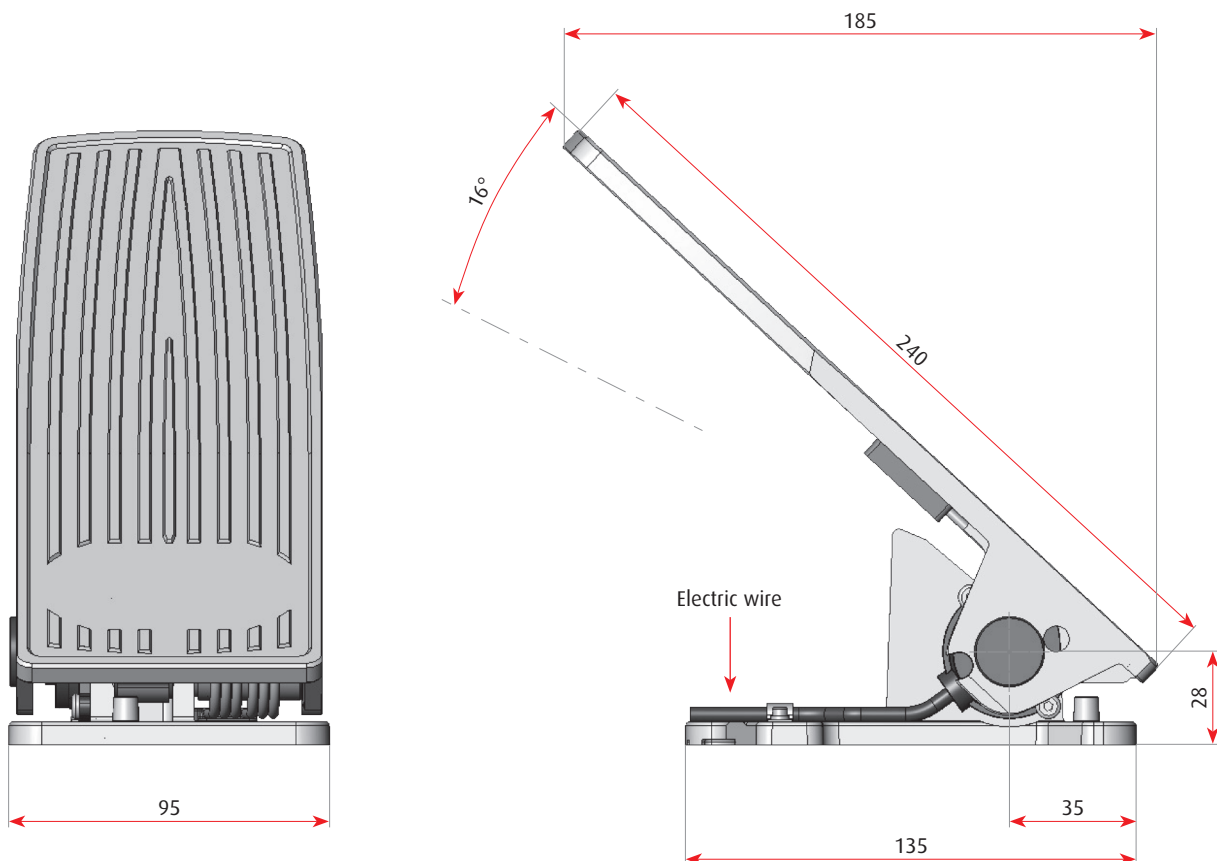


ELN THROTTLE PEDAL 1252

This series of aluminium die cast floor mounted pedals is indicated for medium and heavy duty applications.

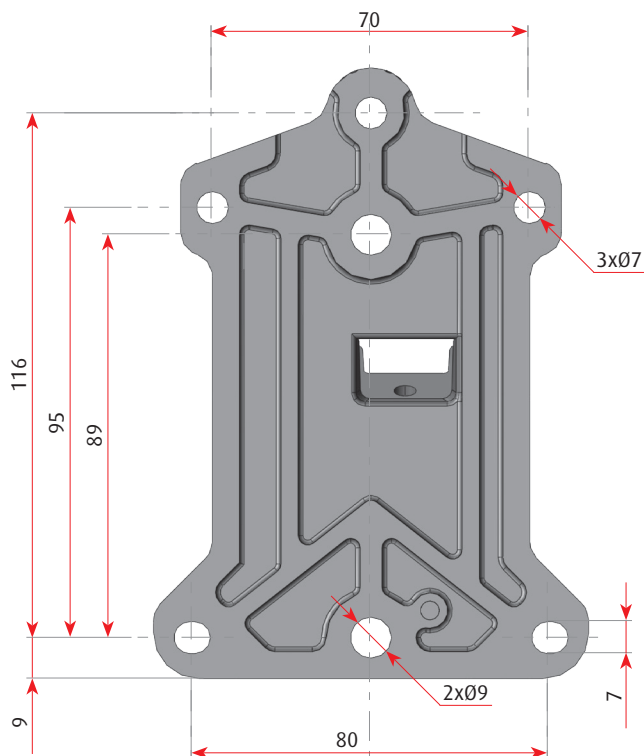
It is a more economic version of pedal series 1250 but it has all the performances and functionalities of the previous series. It is interchangeable with the most common electronic throttle pedal available in the market. The sensor-less technology guarantees a very long life time.

It is available in several versions: 1 or 2 voltage channels, with or without idle validation switch, PWM, current, CANBus. Thanks to an innovative mechanical hysteresis device, it is possible to tune the pedal to any kind of environment, adapting the damping of vibrations which vary from a very smooth to a very rough terrain. Kick-down function is also available.

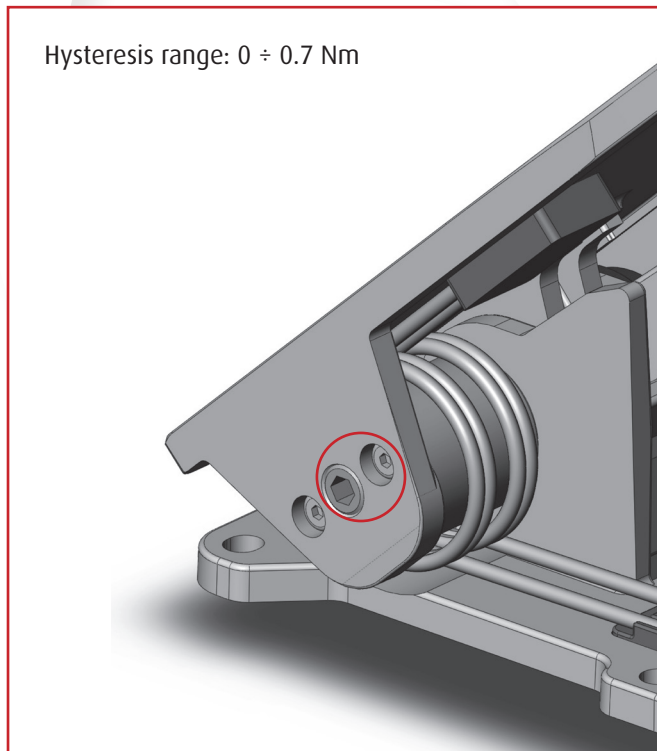


PHYSICAL DIMENSIONS AND MOUNTING INSTRUCTIONS

The mechanical hysteresis can be adjusted via the hexagonal screw placed on the right side of the pedal (front view), as shown in the above picture.



Hysteresis range: $0 \div 0.7 \text{ Nm}$



MECHANICAL SPECIFICATION

• Operational life (at 25 °C)	20 million cycles
• Operating temperature	-40 .. +90 °C
• Storing temperature	-40 .. +110 °C
• Weight	0.90 kg
• Return spring construction	Double safety spring
• Mechanical hysteresis	Adjustable
• Travel angle	18 degrees

ELECTRICAL SPECIFICATION (VERSION WITH 2 VOLTAGE CHANNELS)

• Sensor	Hall effect
• Power supply	5 Vdc $\pm 10\%$ ratio metric
• Electrical signal	Galvanically insulated
• Resolution and update rate	10 bit, update rate 0.1 ms
• Linearity	better than 1%
• Correlation in case of 2 signals	better than 2%
• Current consumption	<10 mA (per each channel)
• Minimum load resistance	4.7 k Ω
• Maximum load capacitance	10 nF

APPLICATION EXAMPLE:

PEDAL 1252 WITH 2 VOLTAGE CHANNELS

Here below are reported typical standard configurations of throttle pedals with 1 channel, 2 channels voltage output and 1 channel voltage + 1 Idle Validation Switch. Electrical cable standard length is 0,5 meter but any other length can be defined when ordering. Factory standard connector is AMP Metripack 6 poles but any other connector can be defined when ordering.

INTERFACE CONFIGURATION	CODE	SIGNAL OUTPUT
• 1 channel	1252.01.00	CH1 = voltage signal
• 2 channels	1252.02.00	CH1 = voltage signal; CH2 = voltage signal
• 1 channel + 1 idle validation switch	1252.03.00	CH1 = voltage signal; CH2 = IVS

For a complete overview of Pedal 1252 configured with different possible interfaces, please refer to the section ECU Interfaces.

Flexball Italiana S.r.l.

Via San Luigi 13/A - 10043 Orbassano (To) - Italy

Tel 0039.011 90.38.900 - Fax 0039.011 90.38.747

info@flexballitaliana.com

www.flexballitaliana.com