

400

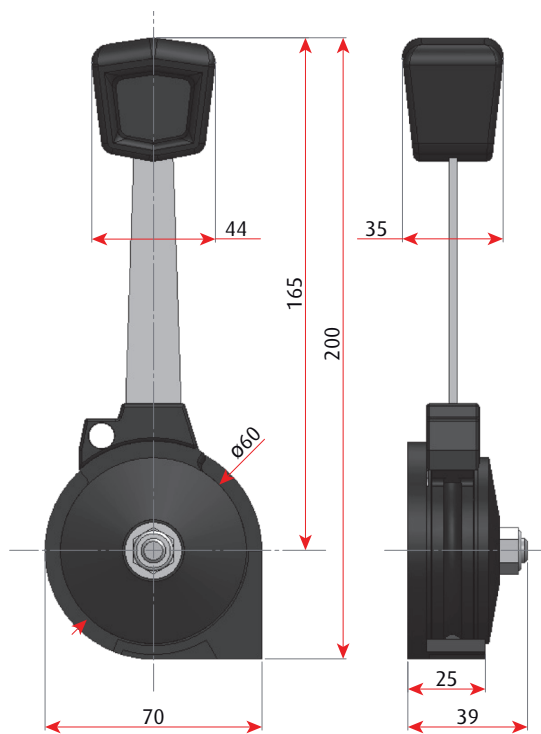
Mechanical control lever

It is a side mounting lever made of plastic and stainless steel, with adjustable friction

It is normally used for the command of the throttle. It is available in pull and push-pull version. Thanks to its several versions, it can be mounted in different positions and configurations.

PULL VERSION

To be connected to a pull cable. Max stroke is 60 mm.

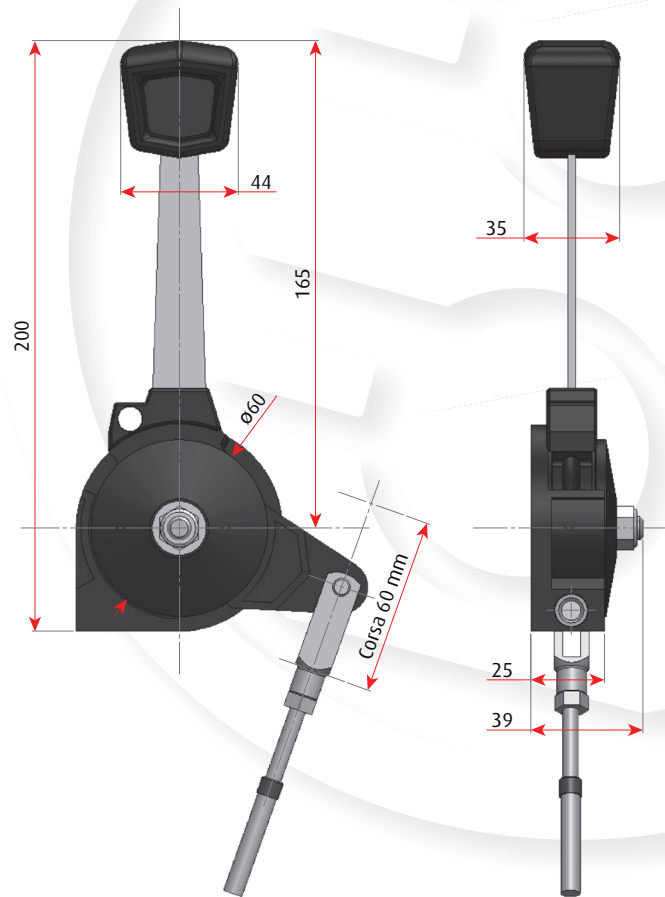


VERSION	CODE
Left mounting, bent	40022-1
Right mounting, bent	40022-2
Left mounting, straight	40022-3
Right mounting, straight	40022-4
Left mounting, through hole	40022-11
Right mounting, through hole	40022-12



PUSH-PULL VERSION

To be connected to a push-pull cable through a fork. It is available in several versions. Max stroke is 60 mm.

**VERSION****CODE**

Left mounting, bent	40021-1
Right mounting, bent	40021-2
Left mounting, straight	40021-3
Right mounting, straight	40021-4
Left mounting, through hole	40021-11
Right mounting, through hole	40021-12

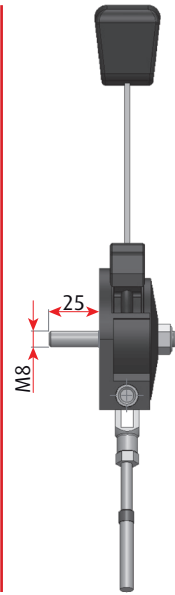
RIGHT MOUNTING



LEFT MOUNTING



THROUGH HOLE

**Flexball Italiana S.r.l.**

Via San Luigi 13/A - 10043 Orbassano (To) - Italy

Tel 0039.011 90.38.900 - Fax 0039.011 90.38.747

info@flexballitaliana.com

www.flexballitaliana.com

FLEXBALL
ITALIANA

WR CONTROLS GROUP

