

# 405

## Mechanical control lever

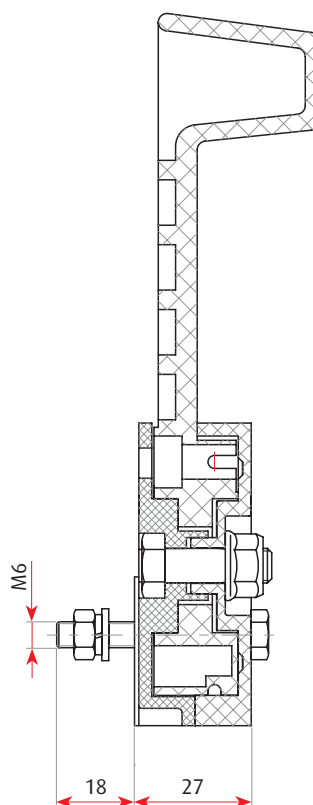
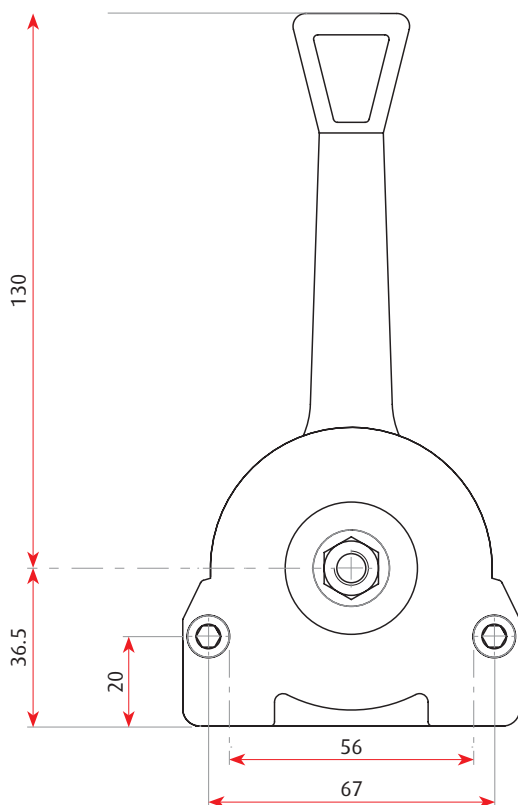
### Single side mounting lever

Control lever series 405 is a simple and cost effective side mounting lever with adjustable friction. It is used for the command of the throttle and it works only in pull mode.

The lever is made of plastic and has a maximum stroke of 70 mm.



CODE STANDARD VERSION: 405.01





**Flexball Italiana S.r.l.**

Via San Luigi 13/A - 10043 Orbassano (To) - Italy

Tel 0039.011 90.38.900 - Fax 0039.011 90.38.747  
info@flexballitaliana.com

**www.flexballitaliana.com**

**FLEXBALL**  
ITALIANA

WR CONTROLS GROUP

