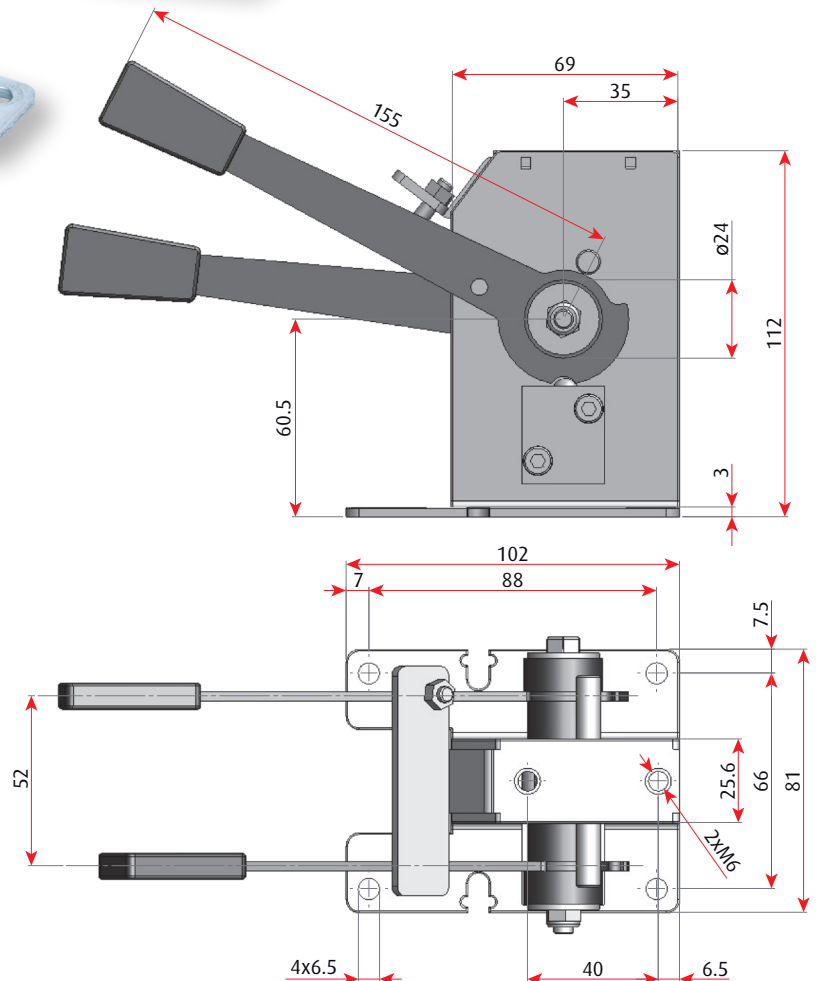
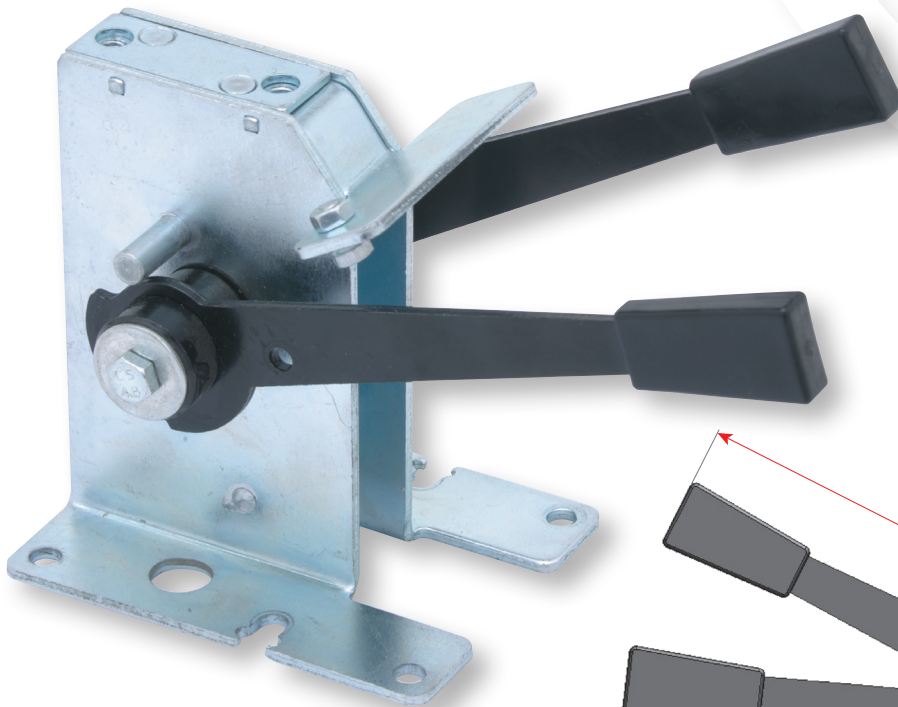


# 470

## Mechanical control lever

▼ This lever is a seat regulator. Via a pull cable, the lever releases the hook which holds the seat from its fixed position

Lever 470 can be configured for the control of one or two hooks. Each lever releases the movement of a pull cable. A neutral detent and a spring system recall the lever to its locking position as soon as the lever is released.





**Flexball Italiana S.r.l.**

Via San Luigi 13/A - 10043 Orbassano (To) - Italy

Tel 0039.011 90.38.900 - Fax 0039.011 90.38.747  
info@flexballitaliana.com

[www.flexballitaliana.com](http://www.flexballitaliana.com)

**FLEXBALL**  
ITALIANA

WR CONTROLS GROUP

