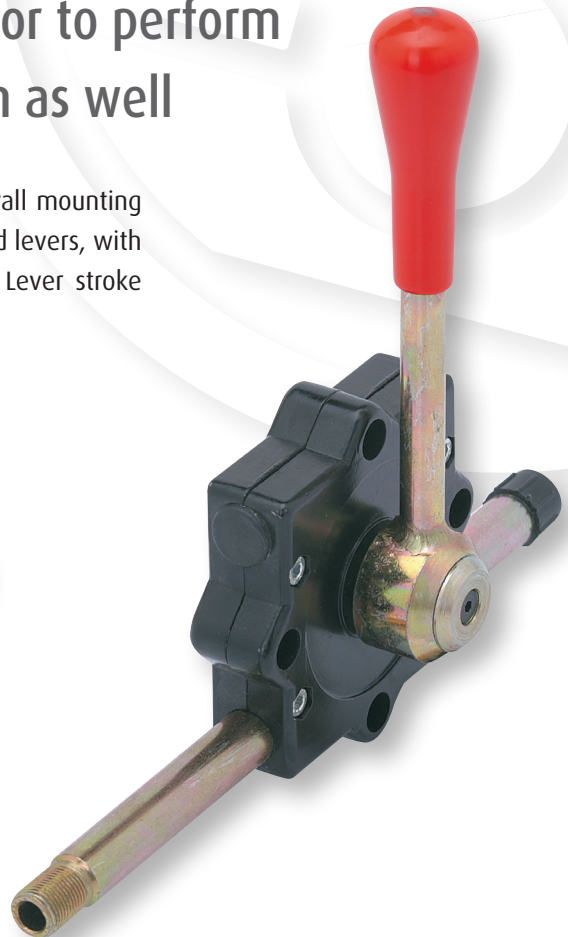
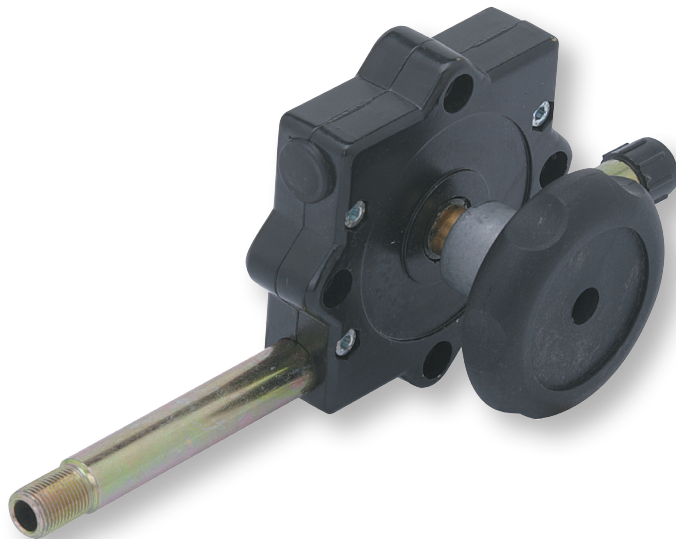


103

Mechanical control lever

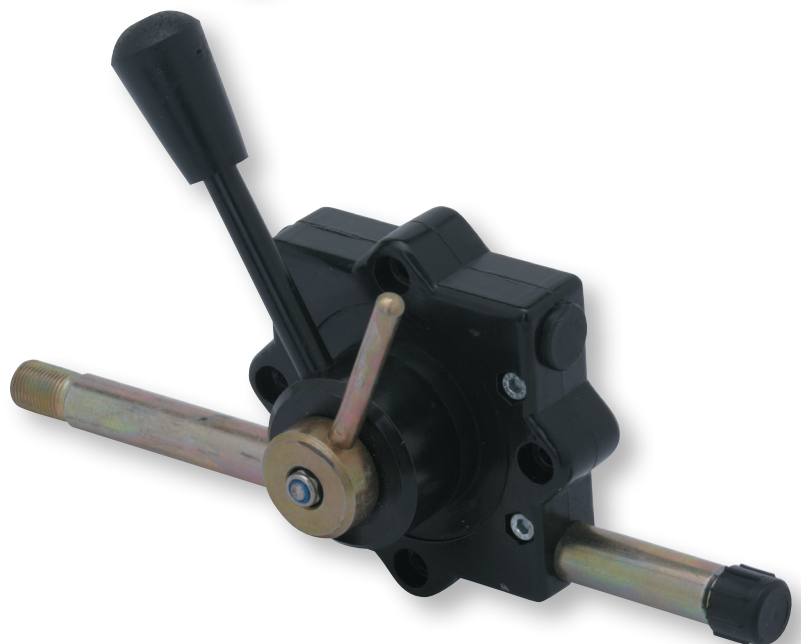
Rack and pinion control lever series 103 is used in several applications in the industrial sector to perform regulation and force transmission as well

Quite small, aluminium made, this lever is very suitable for wall mounting applications. It can be equipped with several types of knobs and levers, with or without central locking. Friction is available as an option. Lever stroke range is between 50 and 100 mm.



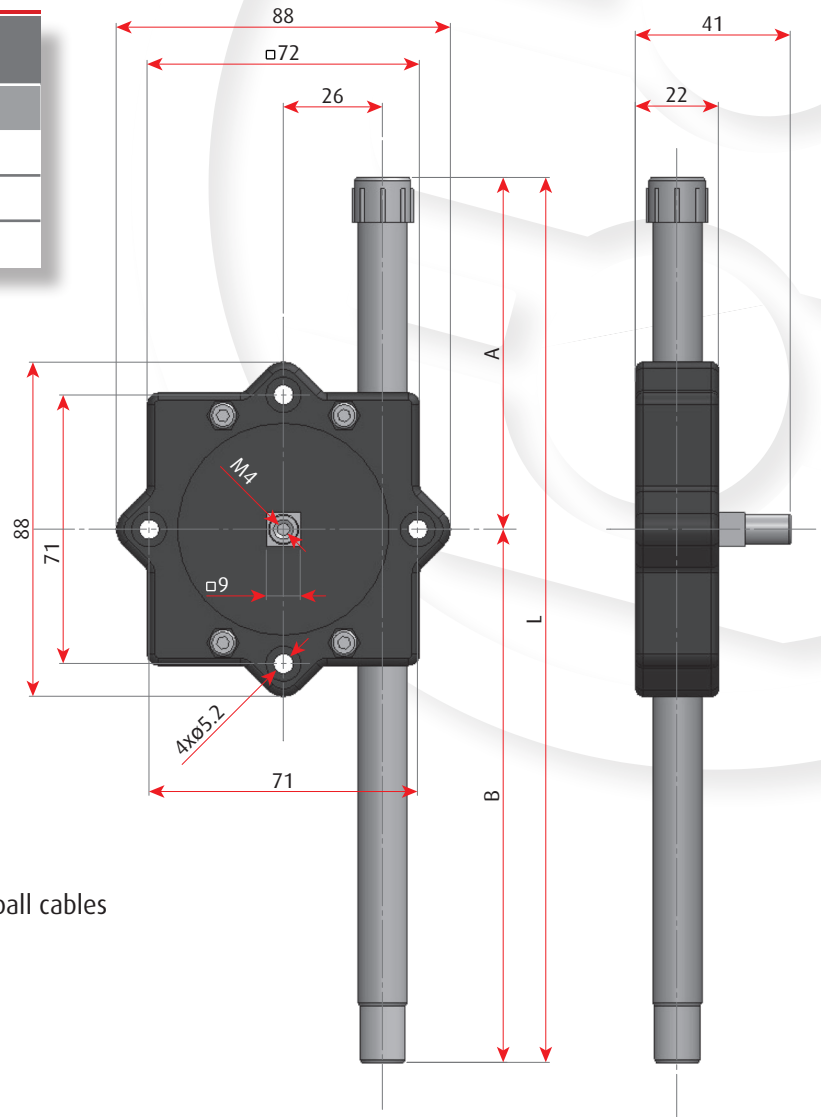
VERSION WITH LOCKING DEVICE

The locking lever (metal colour) allows to lock or unlock the manoeuvring lever (black colour).



DIMENSIONS

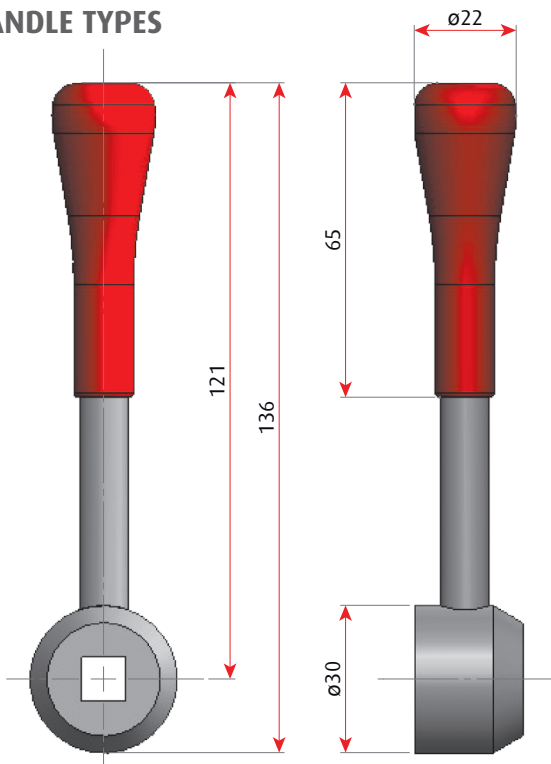
DIMENSIONS CHANGE IN FUNCTION OF THE LEVER'S STROKE			
Stroke	A	B	C
50	60	93	153
75	85	118	203
100	110	143	253



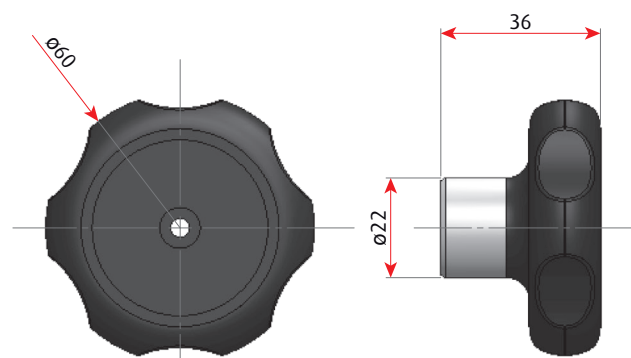
SPECIFICATION

- It is possible to connect either push-pull or Flexball cables
- Primitive diameter: 48 mm
- Number of teeth: 48
- Module: 1 mm

HANDLE TYPES



▲ Lever with orange rubber knob



▲ Rounded plastic knob with die casted insert

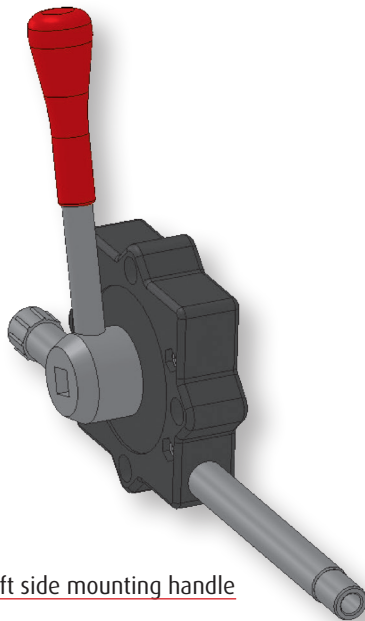


CODES

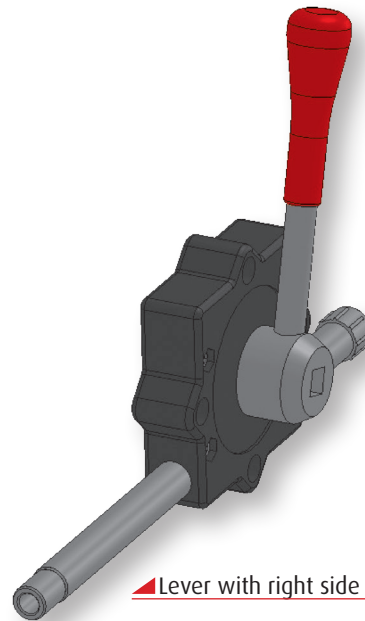
Stroke	Side of handle	Locking device	Rack inside the pipe	Type of handle	Code
50 (1) 75 (2) 100 (3)	Left	With	With	Black Rounded Knob	0103-(1)(2)(3)1221
				Orange Knob	0103-(1)(2)(3)1222
				Black Rounded Knob	0103-(1)(2)(3)1223
		Without	With	Black Rounded Knob	0103-(1)(2)(3)1021
				Orange Knob	0103-(1)(2)(3)1022
				Black Rounded Knob	0103-(1)(2)(3)1023
	Right	With	With	Black Rounded Knob	0103-(1)(2)(3)2221
				Orange Knob	0103-(1)(2)(3)2222
				Black Rounded Knob	0103-(1)(2)(3)2223
		Without	With	Black Rounded Knob	0103-(1)(2)(3)2021
				Orange Knob	0103-(1)(2)(3)2022
				Black Rounded Knob	0103-(1)(2)(3)2023

Note:

To identify the correct code, chose (1), (2) or (3) in relation to the cable's stroke.



▲ Lever with left side mounting handle



▲ Lever with right side mounting handle

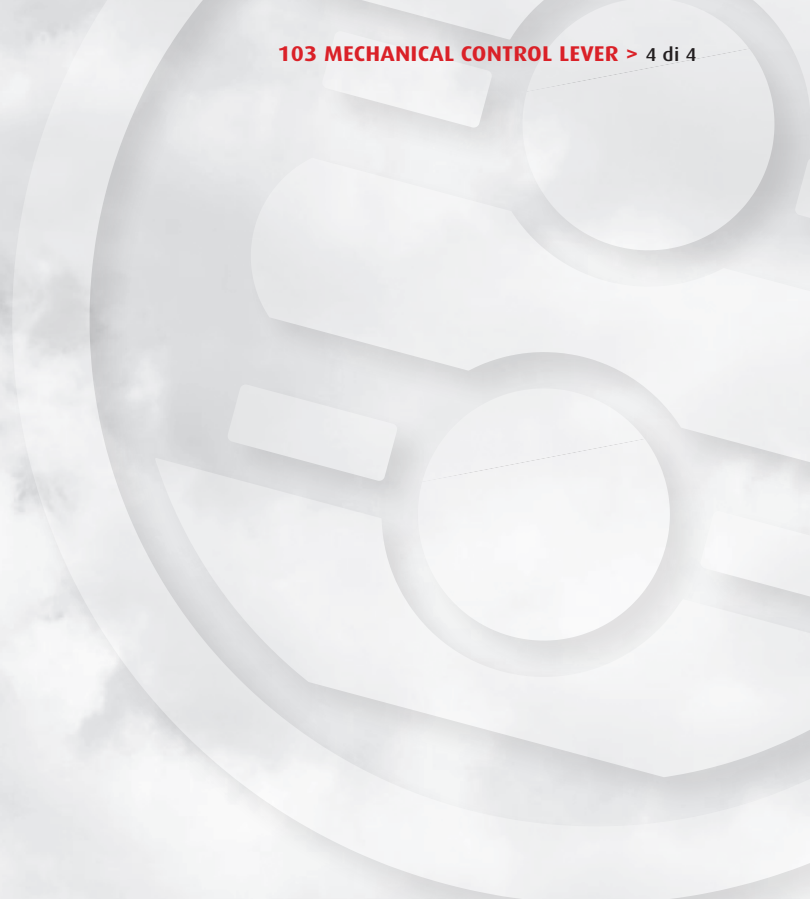
CABLES WHICH FIT WITH LEVER 103

Type	A	F
Flexball 70	Rack with external connection to the pipe	M6x1
V4	Rack with external connection to the pipe	M5x0.8
007	Rack with external connection to the pipe	M6x1

Notes:

- "A" specifies cable lever side
- "F" specifies cable engine side
- "mmmm" is the length of the cable in mm

Cable's engine side can be configured with any shape as shown at page 16.



Flexball Italiana S.r.l.

Via San Luigi 13/A - 10043 Orbassano (To) - Italy

Tel 0039.011 90.38.900 - Fax 0039.011 90.38.747
info@flexballitaliana.com

www.flexballitaliana.com

FLEXBALL
ITALIANA

WR CONTROLS GROUP

