

561

Mechanical control lever

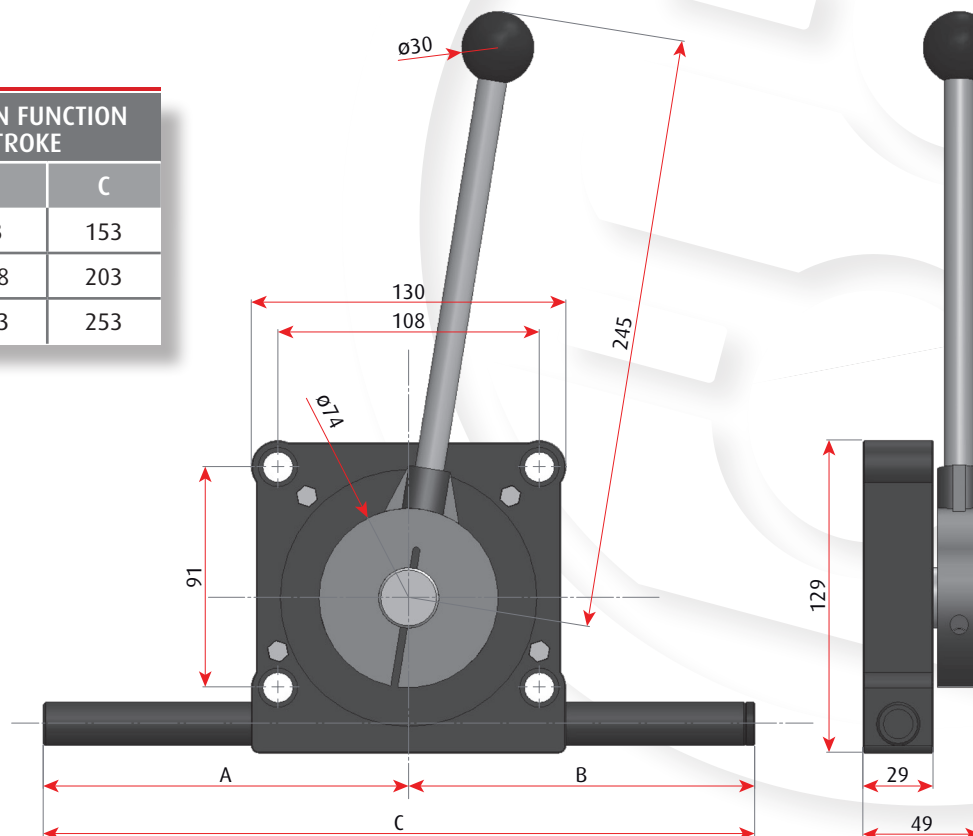
Extremely flexible, it can be mounted side by side offering the possibility to create a system of several levers in a limited amount of space. It is available in different versions, either with knob or handle and can be customized according to any specification



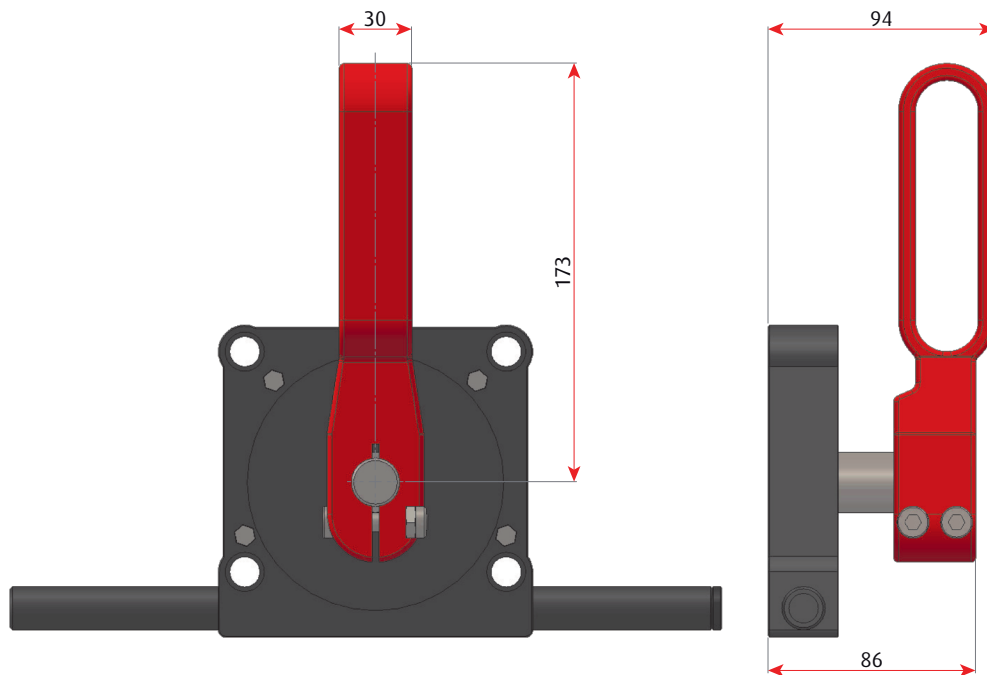
DIMENSIONS

Unit with standard lever.

DIMENSIONS CHANGE IN FUNCTION OF THE LEVER'S STROKE			
Stroke	A	B	C
75	60	93	153
100	85	118	203
150	110	143	253



Unit with aluminum handle (black or red).



For the other dimensions of the control lever, please refer to the drawing above.

SPECIFICATION

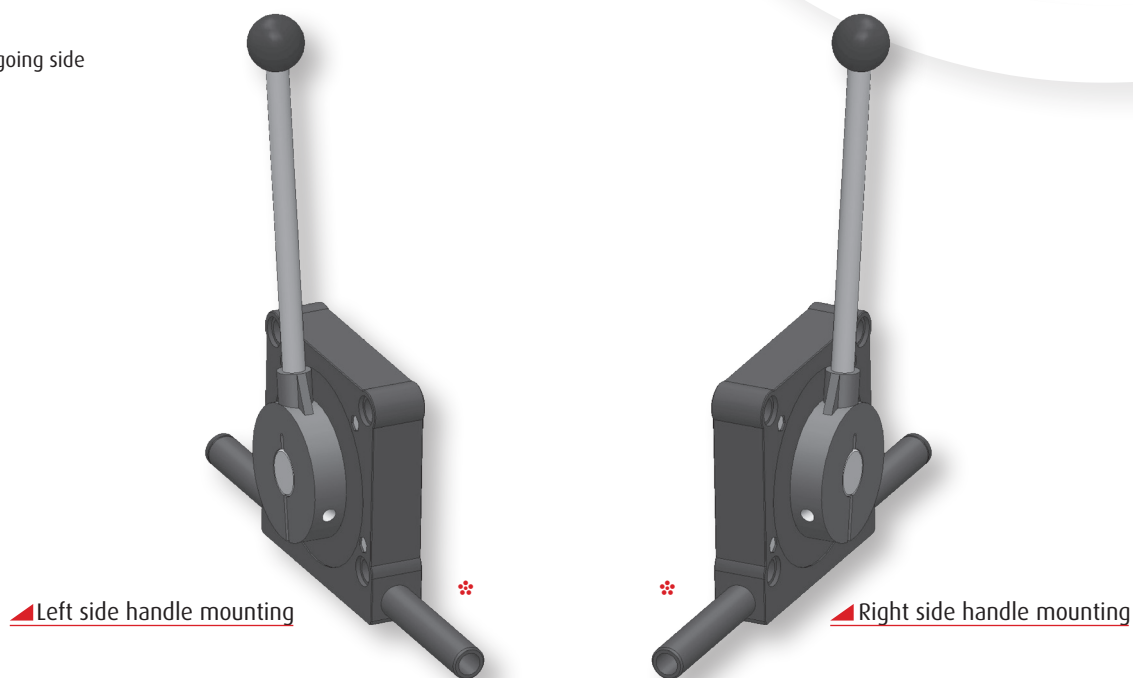
- It is possible to connect either push-pull or Flexball cables
- Primitive diameter: 72 mm
- Number of teeth: 48
- Module: 1.5 mm



CODES

Stroke	Side of the handle	Rack inside the pipe	Code
75	Left	With	0561-211
		Without	0561-210
	Right	With	0561-221
		Without	0561-220
100	Left	With	0561-311
		Without	0561-310
	Right	With	0561-321
		Without	0561-320
150	Left	With	0561-411
		Without	0561-410
	Right	With	0561-421
		Without	0561-420

❁ Cable outgoing side



CABLES WHICH FIT WITH LEVER 561

Type	A	F
07, 07E	Rack with external connection to the pipe	M6X1
V6	Rack with external connection to the pipe	M6X1
V7	Rack with external connection to the pipe	M6X1
V8	Rack with external connection to the pipe	M8X1.25
Flexball 70	Rack with external connection to the pipe	M6X1
Flexball 95	Rack with external connection to the pipe	M10X1.5

Notes:

- "A" cable lever side
- "F" specifies cable engine side

Cable's engine side can be configured with any shape as shown at page 16 of "Industrial Products" catalogue.



Flexball Italiana S.r.l.

Via San Luigi 13/A - 10043 Orbassano (To) - Italy

Tel 0039.011 90.38.900 - Fax 0039.011 90.38.747
info@flexballitaliana.com

www.flexballitaliana.com

FLEXBALL
ITALIANA

WR CONTROLS GROUP

