

901

Mechanical control lever

This series of control levers, with robust and essential design, is based on a rack and pinion mechanism and it is indicated for heavy duty applications

Levers 901 are suitable to command winches, gearboxes, big and small cranes, concrete mixers.

Standard configurations are: single lever (one cable can be connected), single lever + locking device, two levers (two cables can be connected) + locking device.

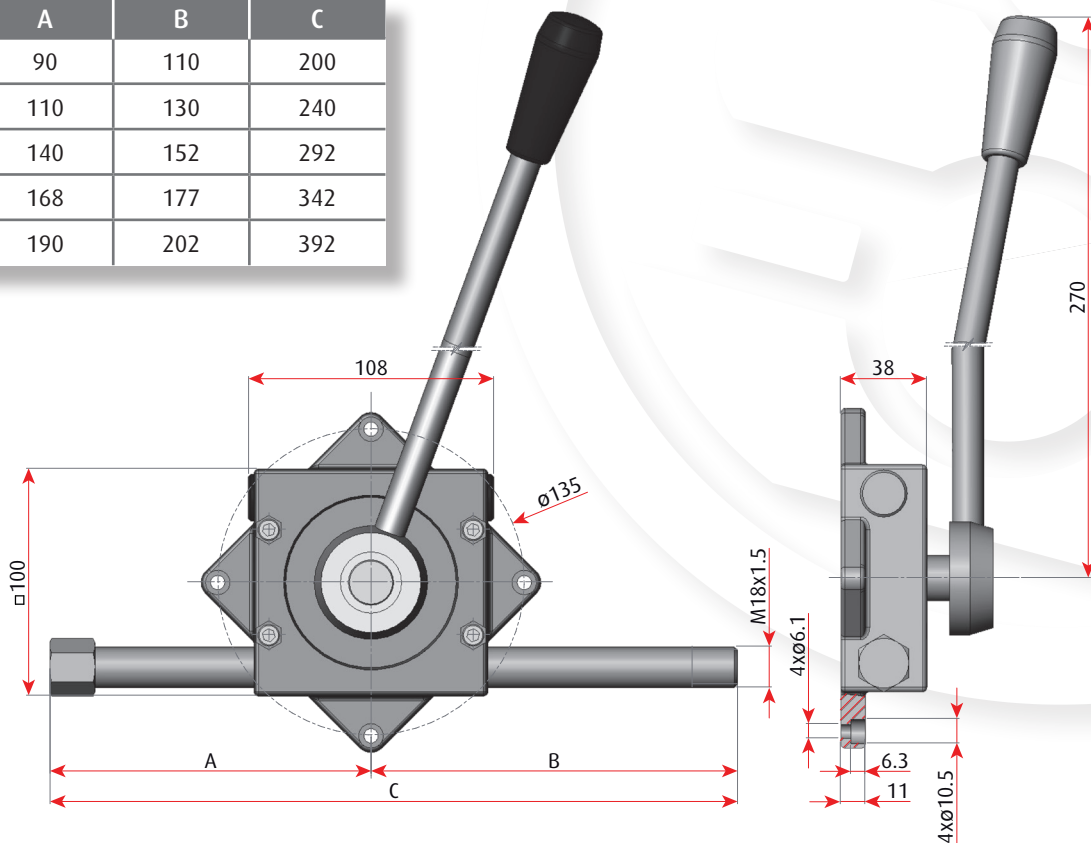
Depending on the pipe mounted on the lever, strokes available are: 50, 70, 100, 125, and 150 mm.



LEVER 901.1

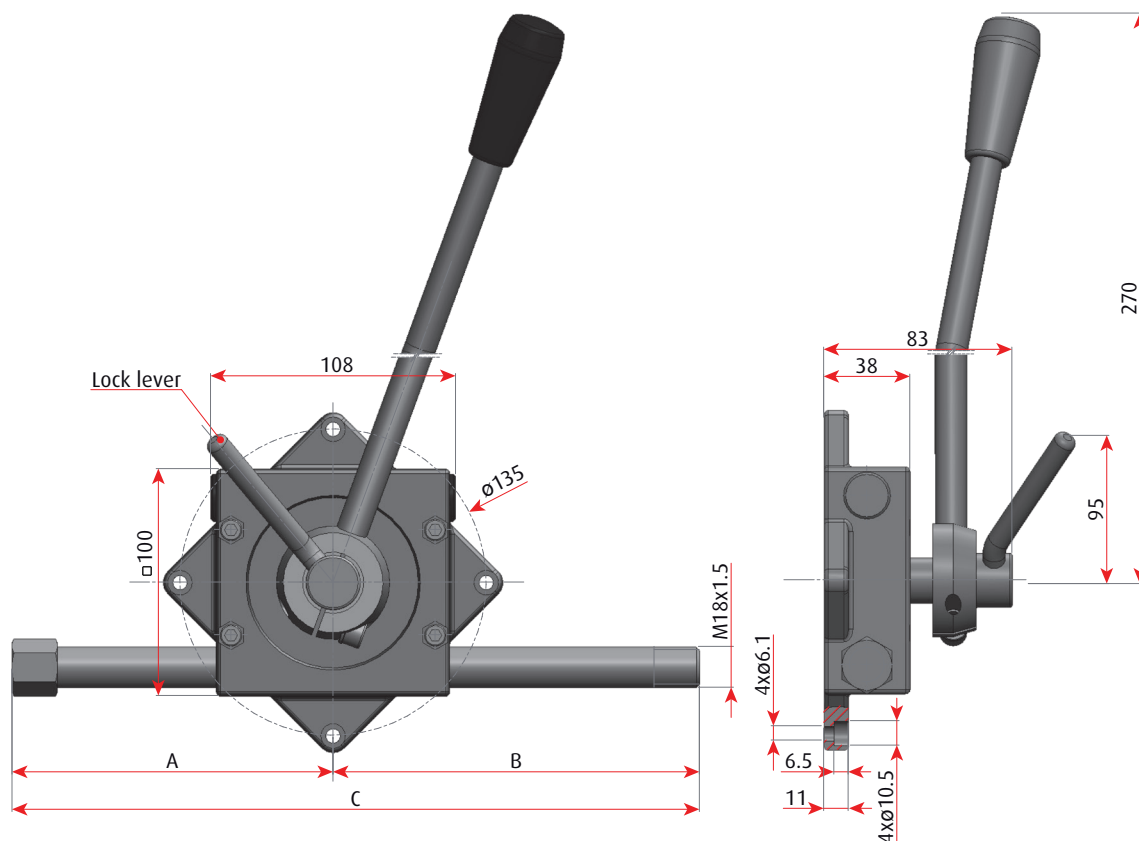
It is a single lever for the command of one cable, available with or without neutral detent.

Stroke	A	B	C
50	90	110	200
70	110	130	240
100	140	152	292
125	168	177	342
150	190	202	392



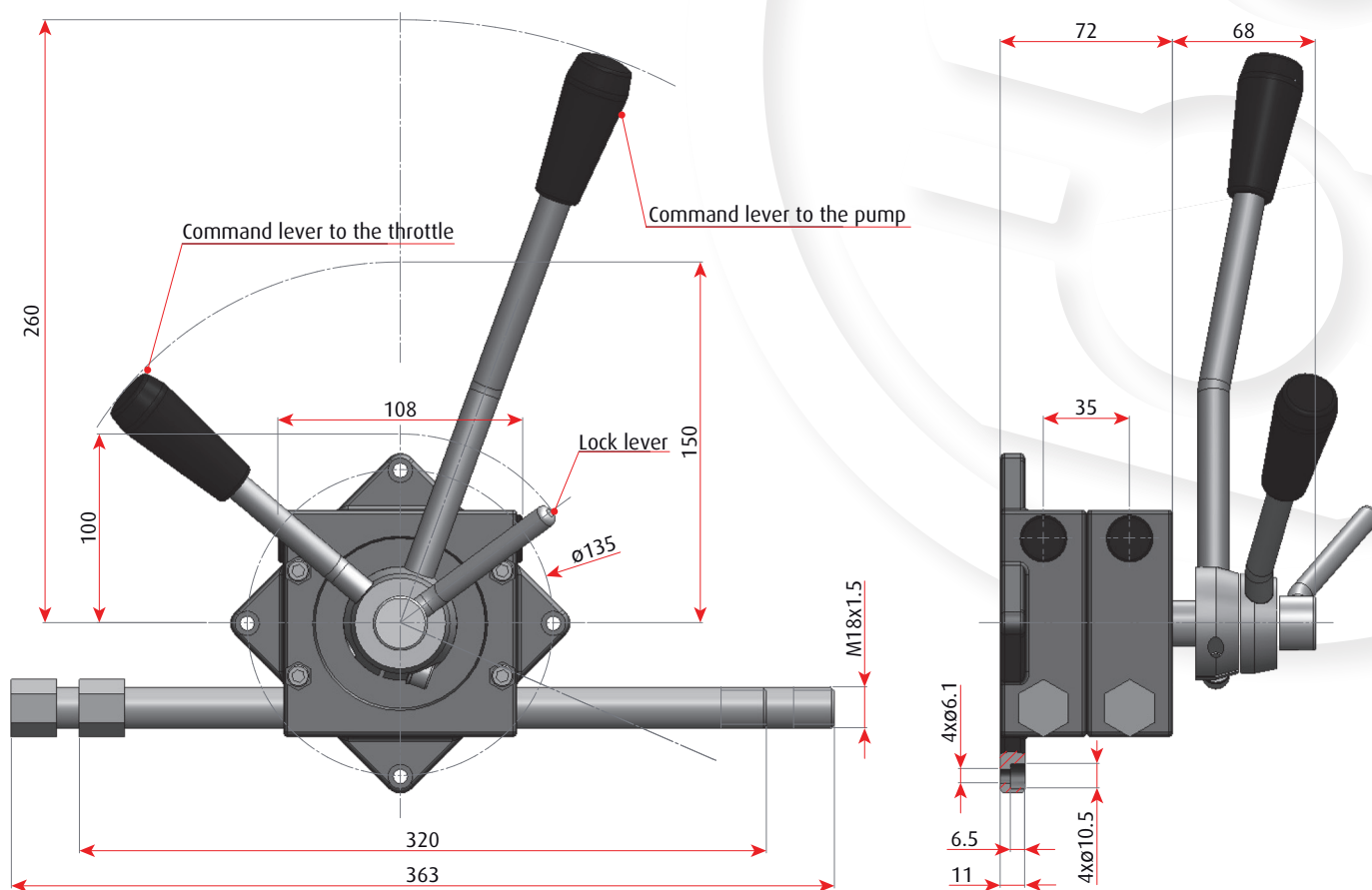
LEVER 901.2

It is a single lever for the command of one cable, with the locking function. The locking lever (metal colour) allows to lock or unlock the manoeuvring lever (black colour). It is available with or without neutral detent.



LEVER 901.3

With this kind of lever it is possible to command two push-pull cables. Typically it is used to command throttle and machine's motion. The locking lever (metal colour) allows to lock or unlock the manoeuvring levers (black colour). It is equipped with locking device and it is available with or without neutral detent.

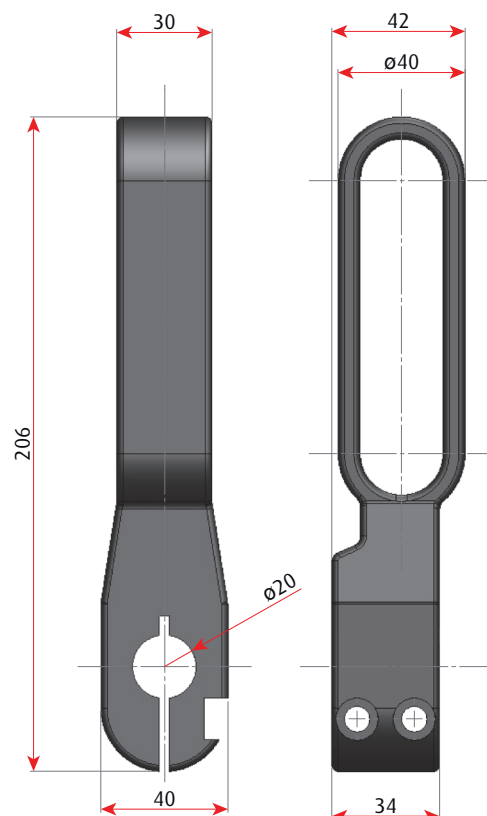
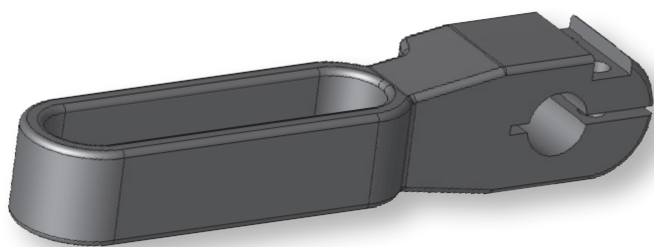


SPECIFICATION

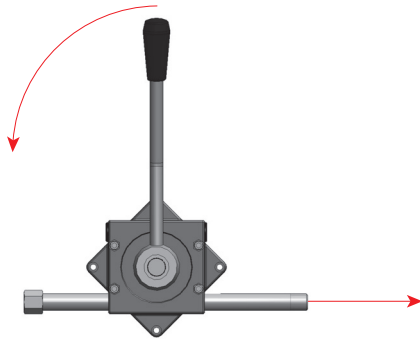
- It is possible to connect either push-pull or Flexball cables
- Primitive diameter: 72 mm
- Number of teeth: 48
- Module: 1.5 mm

ALUMINIUM HANDLE OPTION

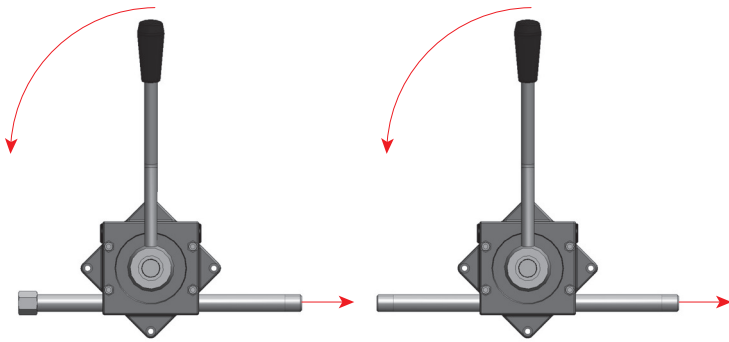
As an alternative to the standard knob, it is available an aluminium handle either red or black.



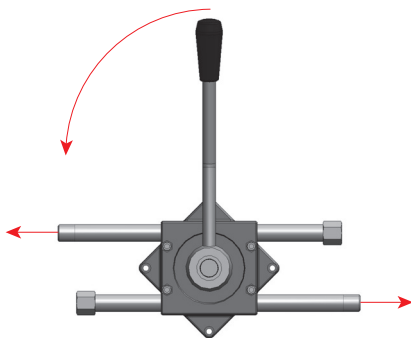
CONFIGURATION SCHEMES



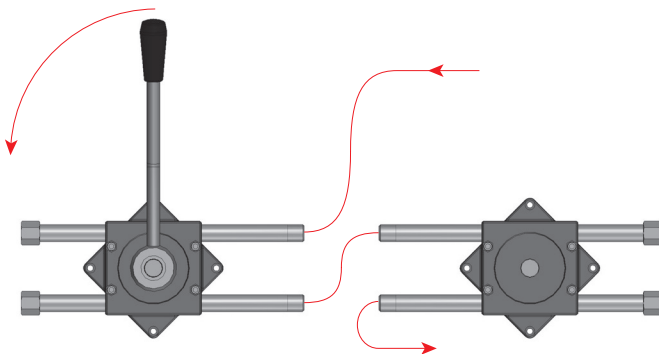
- System with one lever, one command station, one push-pull cable



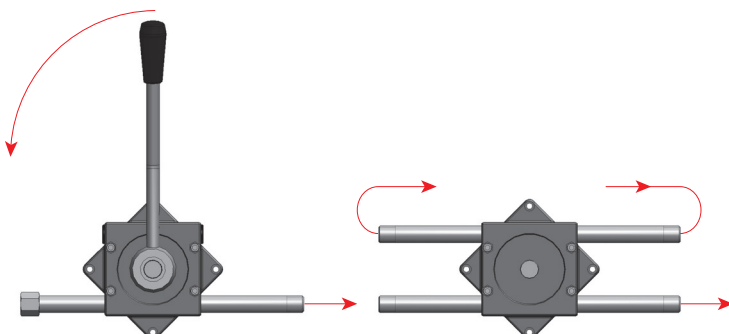
- System with two levers, two command stations and two push-pull cables
- Moving the lever of one command station, it moves also the lever of the second command station



- System with one lever, one command station and two push-pull cables
- Moving the lever of the command station, both push-pull cables move together but in opposite directions



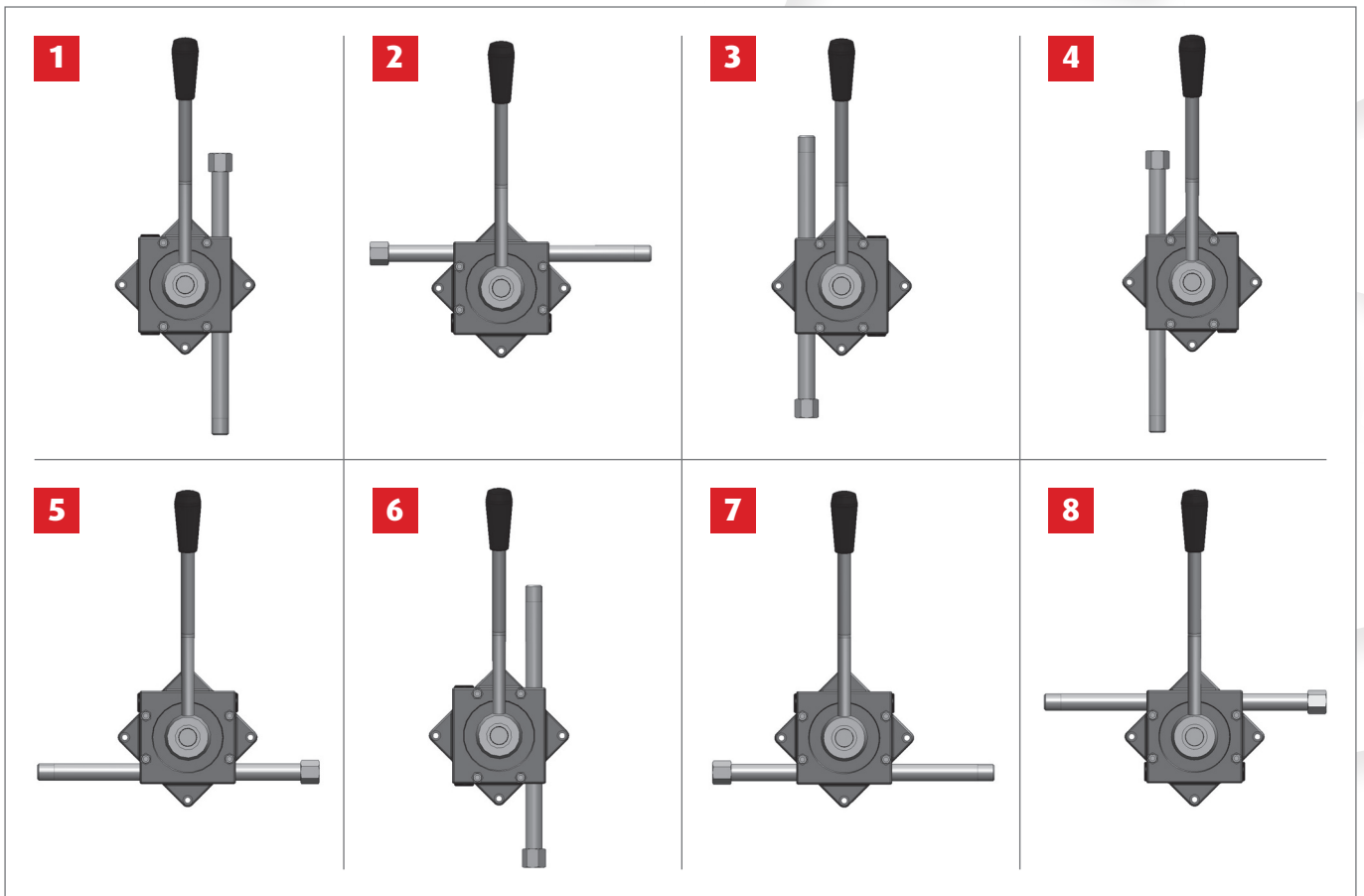
- System with one command station lever, one shifting lever and two push-pull cables
- Activating the command lever, movement is transmitted to the shifting lever which activates the device where is mounted the shifting lever



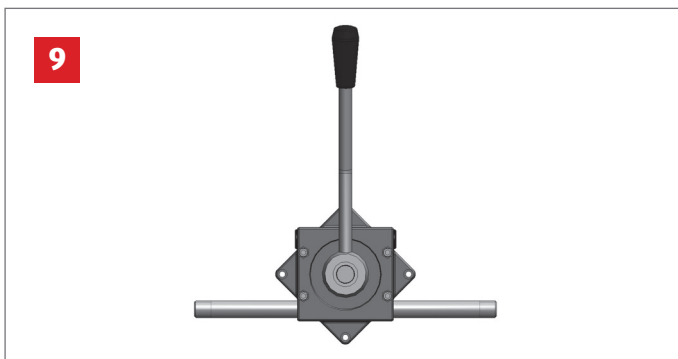
- System with one command lever, one shifting lever and two push pull cables
- Moving the command lever, the cable transmits the movement to the shifting lever which inverts the movement on the second cable connected to the shifting lever



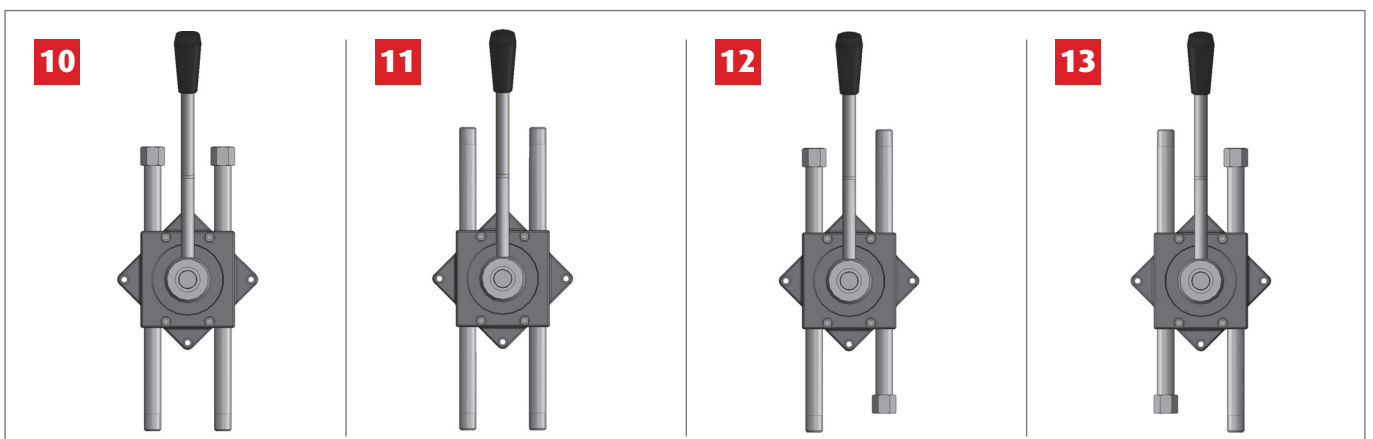
LEVER 901 WITH ONE PIPE AND ONE OUTPUT



LEVER 901 WITH ONE PIPE AND TWO OUTPUTS



LEVER 901 WITH TWO PIPES AND TWO OUTPUTS



CODES

Version	Stroke	2nd stroke (only for version 901.3)	Mounting	Neutral detent	Code
901.1	50		X	No	9011-2X0
				Yes	9011-2X1
	70		X	No	9011-3X0
				Yes	9011-3X1
	100		X	No	9011-4X0
				Yes	9011-4X1
	125		X	No	9011-5X0
				Yes	9011-5X1
	150		X	No	9011-6X0
				Yes	9011-6X1
901.2	50		X	No	9012-2X0
				Yes	9012-2X1
	70		X	No	9012-3X0
				Yes	9012-3X1
	100		X	No	9012-4X0
				Yes	9012-4X1
	125		X	No	9012-5X0
				Yes	9012-5X1
	150		X	No	9012-6X0
				Yes	9012-6X1
901.3	50	50	X	No	9013-22X0
				Yes	9013-22X1
	70	70	X	No	9013-33X0
				Yes	9013-33X1
	100	100	X	No	9013-44X0
				Yes	9013-44X1
	125	125	X	No	9013-55X0
				Yes	9013-55X1
	150	150	X	No	9013-66X0
				Yes	9013-66X1

Notes:

"X" is a two digit variable which identifies the type of mounting of the lever. It ranges from 01 to 13 as specified at page 55 of "Industrial Products" catalogue.

Usually Lever 901 is provided without the rack inside. The rack is delivered only on demand.

CABLES WHICH FIT WITH LEVER 901

Type	A	F
07, 07E	Rack with external connection to the pipe	M6x1
V6	Rack with external connection to the pipe	M6x1
V7	Rack with external connection to the pipe	M6x1
V8	Rack with external connection to the pipe	M8x1.25
Flexball 70	Rack with external connection to the pipe	M6x1
Flexball 95	Rack with external connection to the pipe	M10x1.5
Flexball 125	Rack with external connection to the pipe	M12x1.5



▲ Example of connection of lever 901 to a Flexball cable



▲ Example of connection of lever 901 to a push-pull cable





Flexball Italiana S.r.l.

Via San Luigi 13/A - 10043 Orbassano (To) - Italy

Tel 0039.011 90.38.900 - Fax 0039.011 90.38.747
info@flexballitaliana.com

www.flexballitaliana.com

FLEXBALL
ITALIANA

WR CONTROLS GROUP

