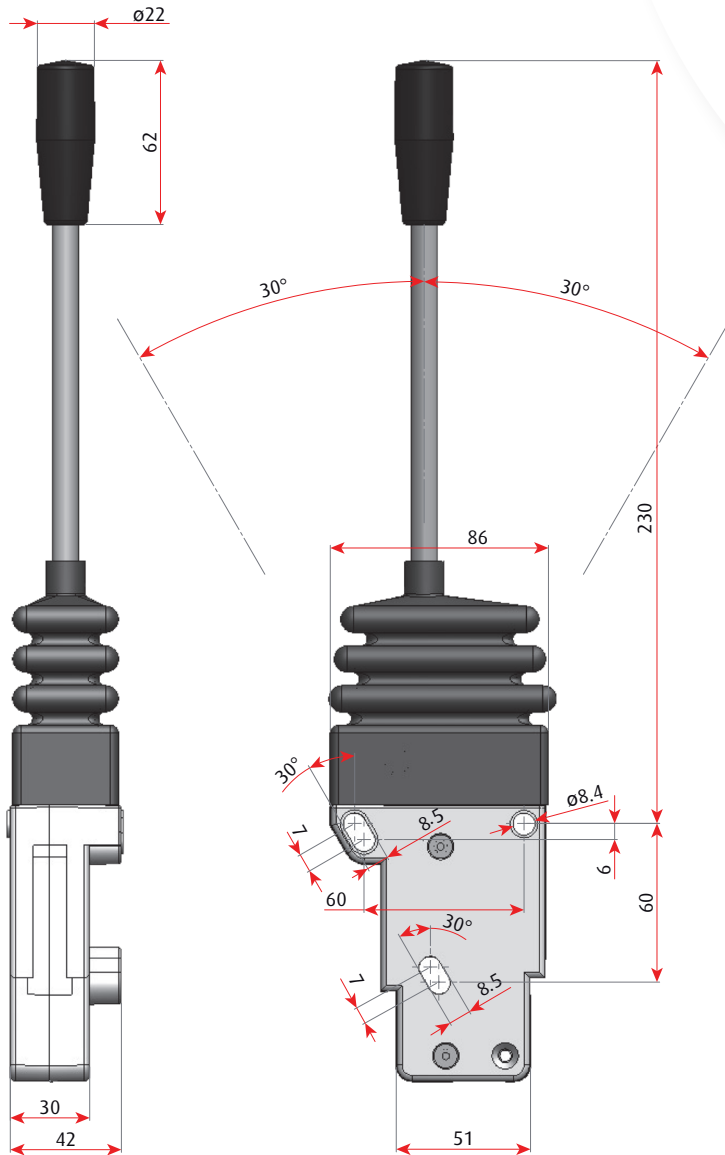


1010

Mechanical control lever

▼ It is made with an aluminium alloy body

Push-pull cable exits at 180 degrees with respect to the lever. It is used for the command of gears, cranes, stabilizers and hydraulic distributors in general.



SPECIFICATION

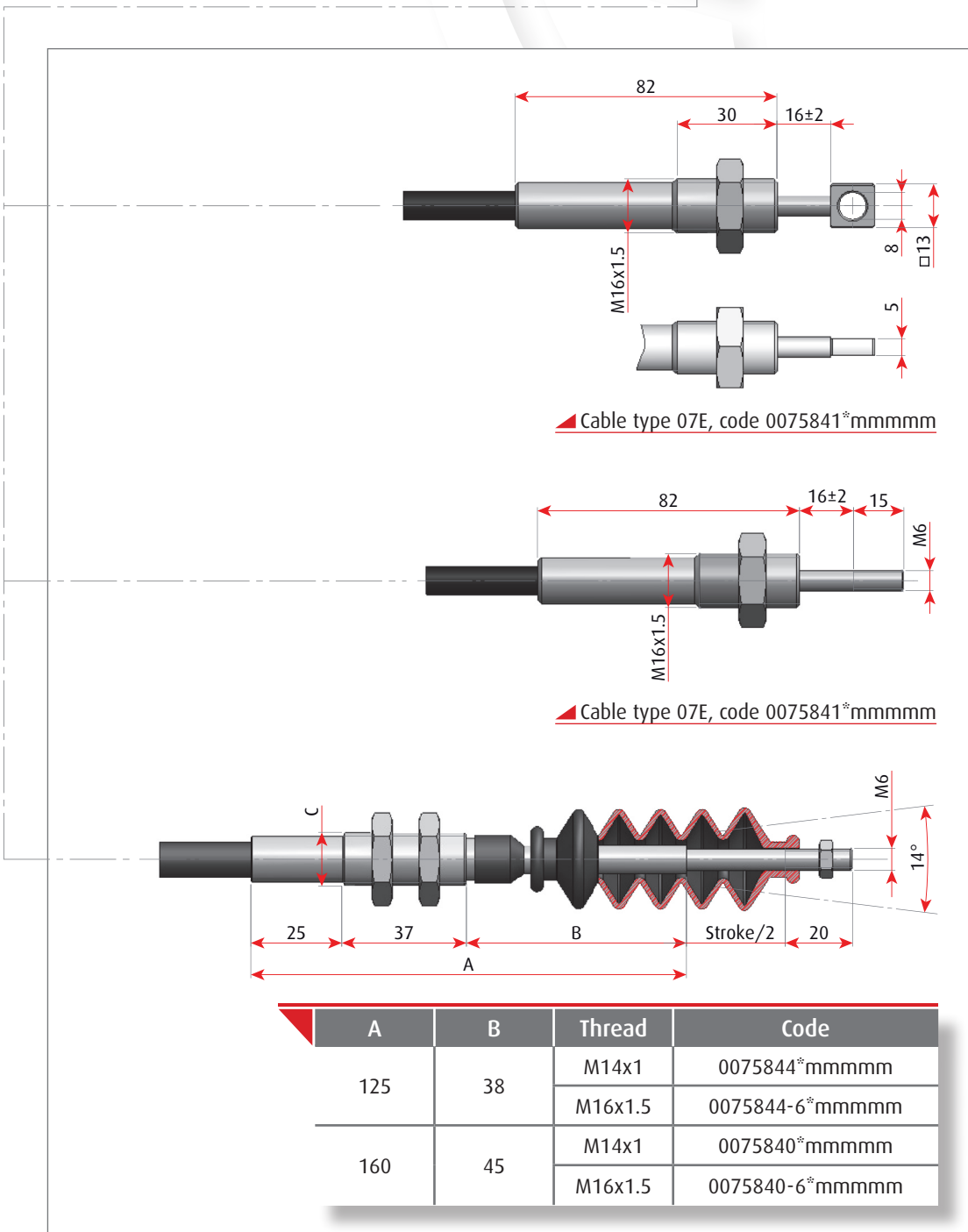
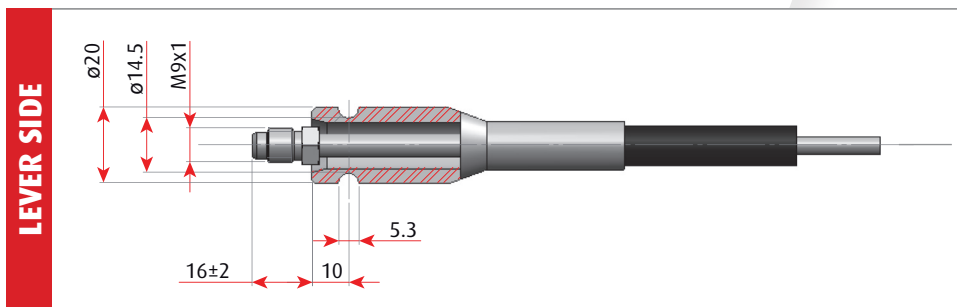
- Possibility to mount side by side for multi axes applications
- Cable stroke: ± 18 mm
- 300 N maximum working load

CODES

Version	Code
Self centring lever	1010

PUSH-PULL CABLES WHICH FIT WITH LEVER 1000

- The end fittings are represented with the cable at mid stroke position



HYDRAULIC DISTRIBUTOR SIDE

A	B	Thread	Code
125	38	M14x1	0075844*mmmmm
		M16x1.5	0075844-6*mmmmm
160	45	M14x1	0075840*mmmmm
		M16x1.5	0075840-6*mmmmm

Flexball Italiana S.r.l.

Via San Luigi 13/A - 10043 Orbassano (To) - Italy

Tel 0039.011 90.38.900 - Fax 0039.011 90.38.747

info@flexballitaliana.com

www.flexballitaliana.com

FLEXBALL
ITALIANA

WR CONTROLS GROUP

