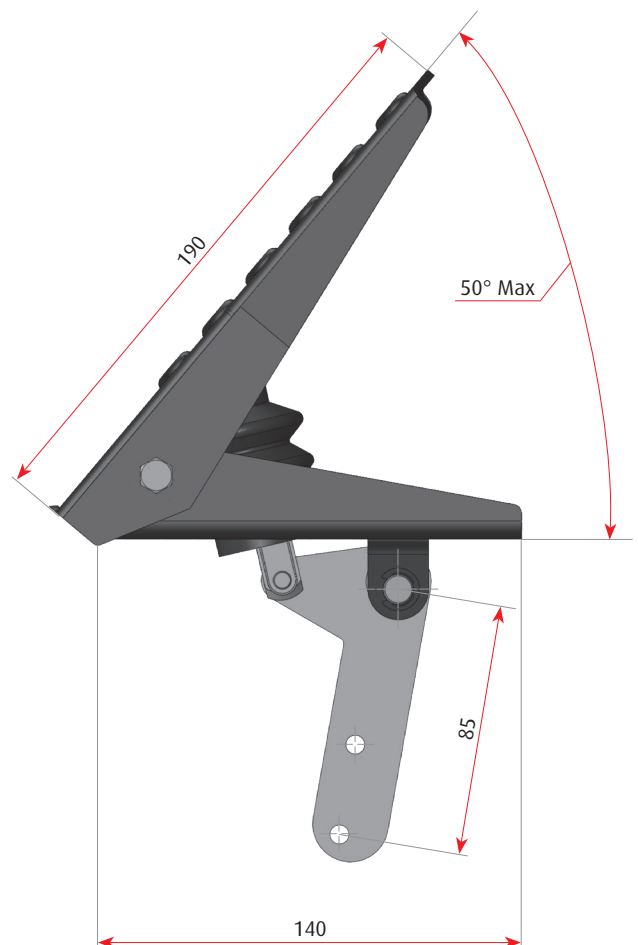
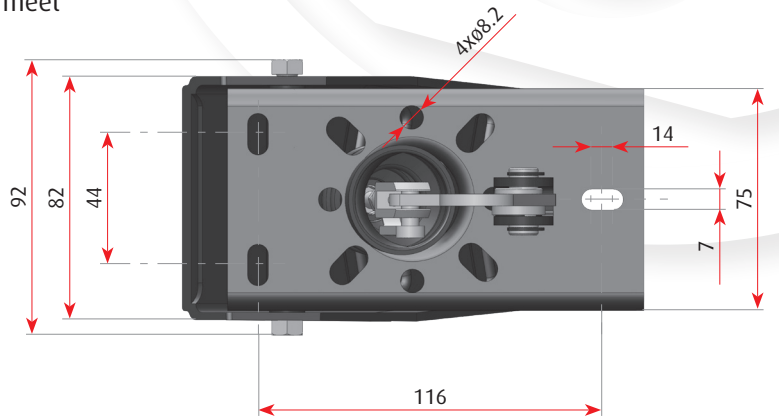


1230 Mechanical throttle pedal

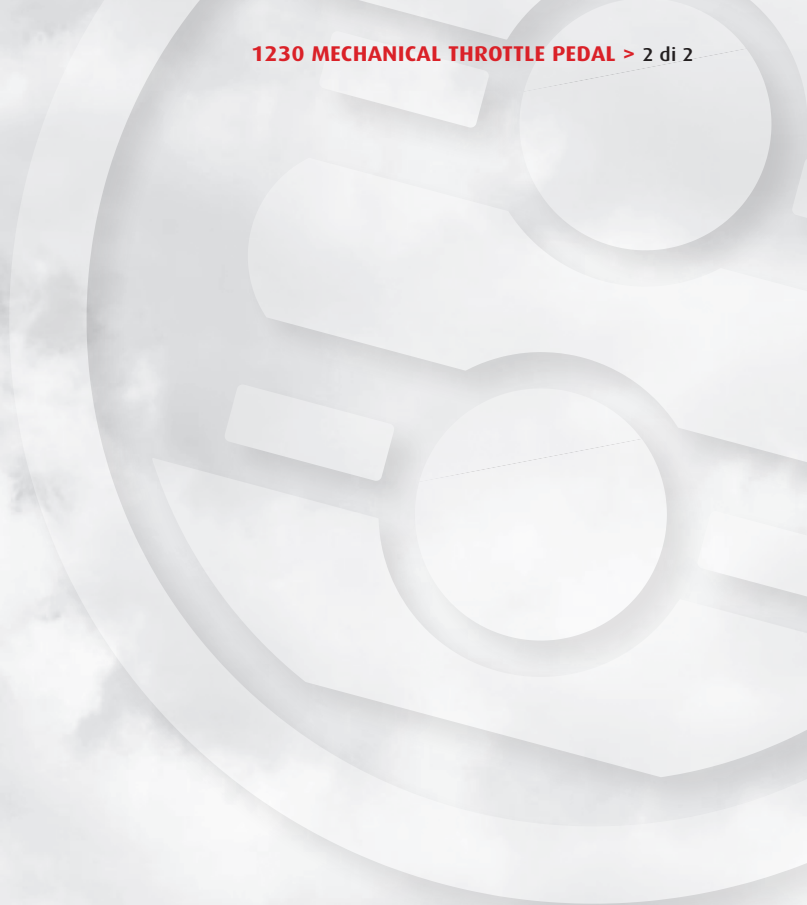
Throttle pedal 1230, metal sheet made for floor mounting applications, is intended for light and medium duty applications

A torsion spring is incorporated for idle position return. Environmental contamination is minimized by a rubber bellow installed between the pad and mounting base. Idle pedal position and throttle travel are adjustable to meet application requirements.

The mechanism can be inserted through a drilling mask in the floor and can rotate 360 to optimize throttle cable routing.



MECHANICAL SPECIFICATION	
• Operational life (at 25 °C)	2 million cycles
• Operating temperature	-40 .. +80 °C
• Storing temperature	-40 .. +110 °C
• Weight	1.10 kg
• Travel angle (standard)	50 degrees



Flexball Italiana S.r.l.

Via San Luigi 13/A - 10043 Orbassano (To) - Italy

Tel 0039.011 90.38.900 - Fax 0039.011 90.38.747
info@flexballitaliana.com

www.flexballitaliana.com

FLEXBALL
ITALIANA

WR CONTROLS GROUP

