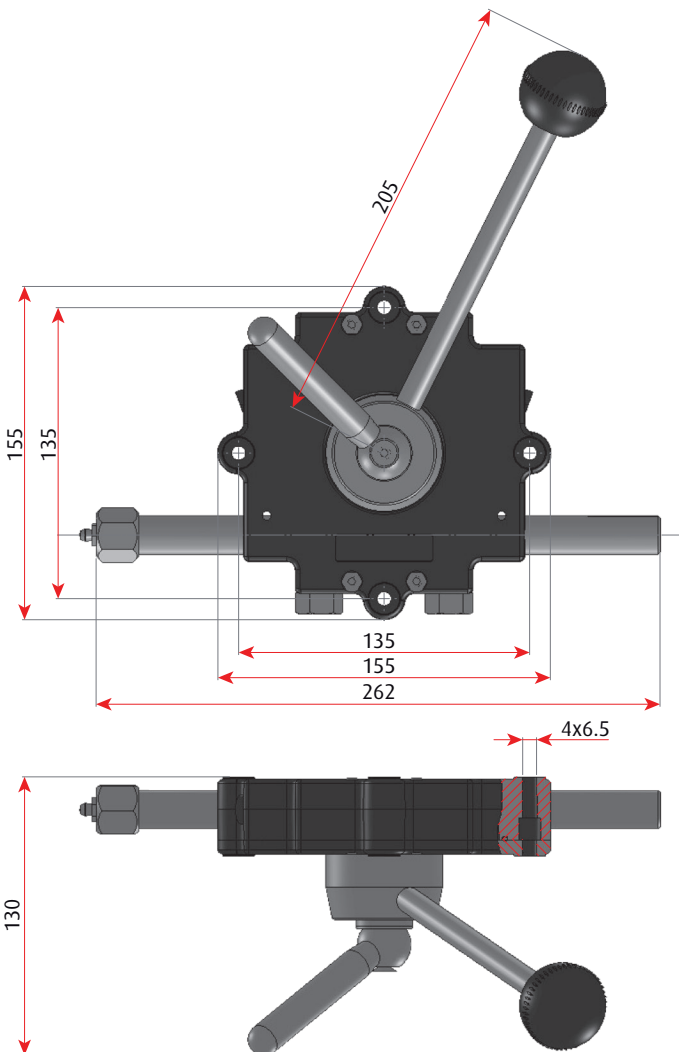
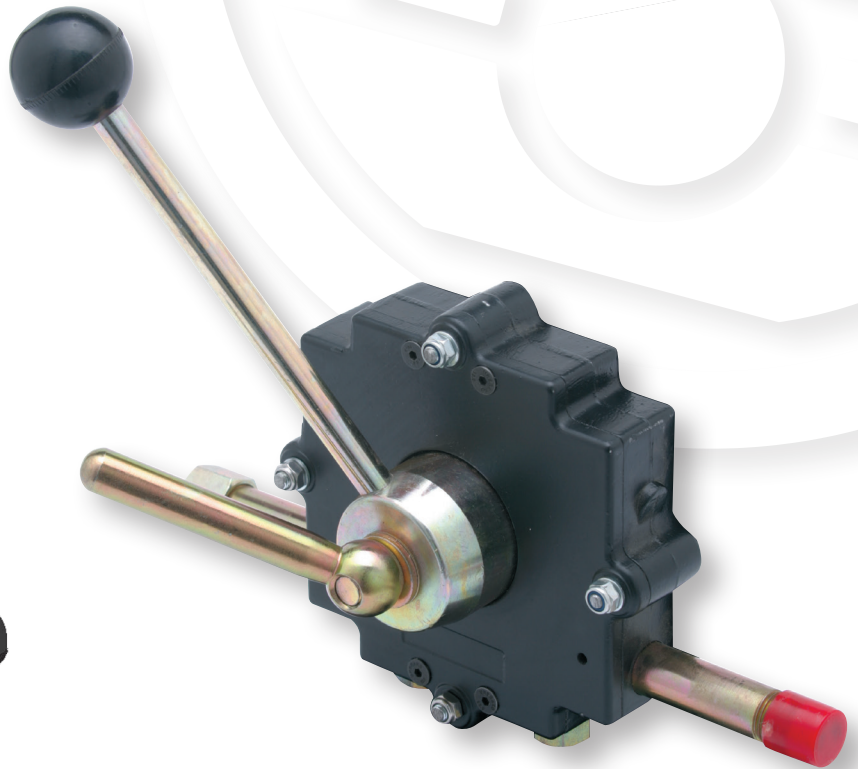


920 Mechanical control lever

▼ It is a single rack and pinion lever with locking device function

It is very robust and it can be used in heavy duty applications with high load transmissions. It is therefore suitable on concrete mixers and vibrating machines.
Only one push-pull cable can be connected.



CODING SYSTEM

BASIC CODE	STROKE	CUSTOMIZATION
920	.AA	.XX

AA defines the cable strokes according to the following codification:

- 00 = stroke 75
- 01 = stroke 100
- 02 = stroke 125
- 03 = stroke 150
- 04 = stroke 200

XX customization





Flexball Italiana S.r.l.

Via San Luigi 13/A - 10043 Orbassano (To) - Italy

Tel 0039.011 90.38.900 - Fax 0039.011 90.38.747
info@flexballitaliana.com

www.flexballitaliana.com

FLEXBALL
ITALIANA

WR CONTROLS GROUP

