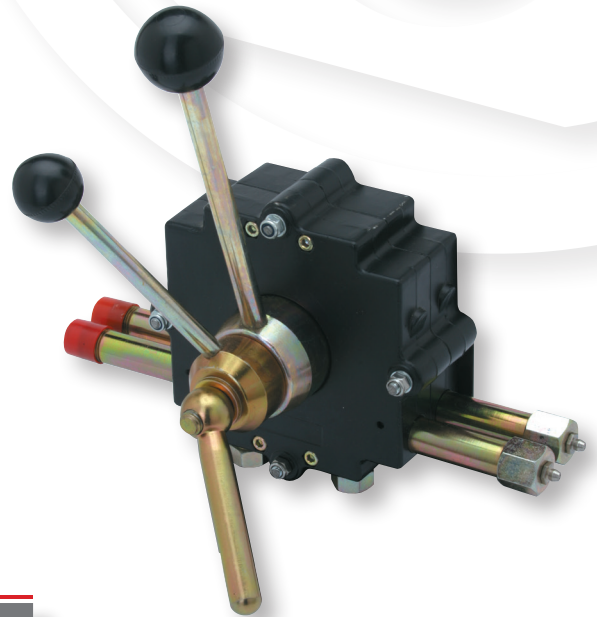
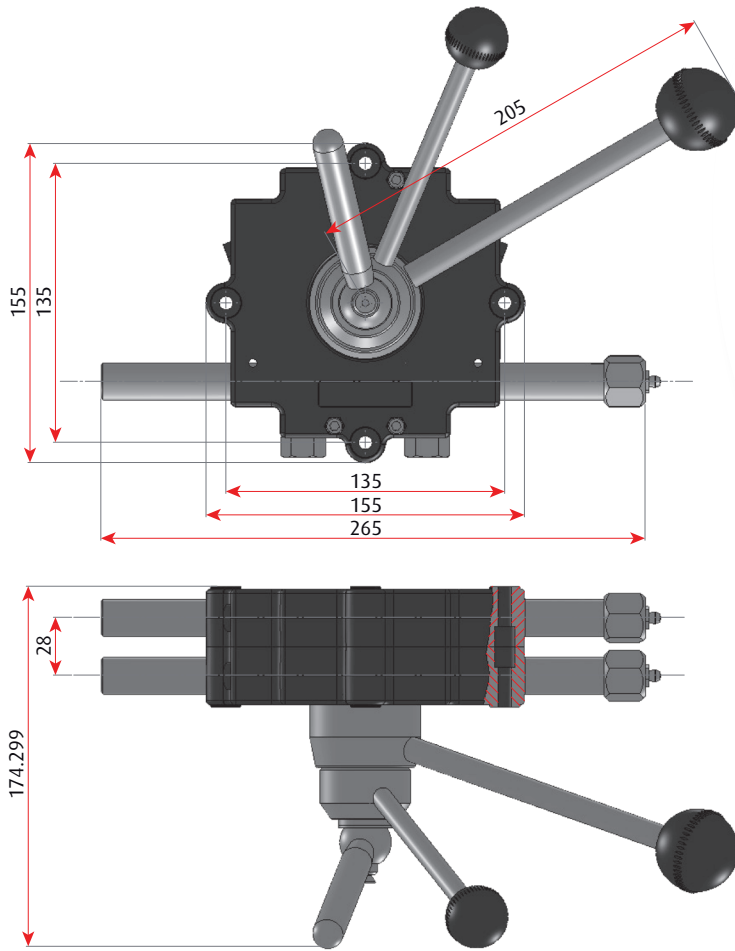


930 Mechanical control lever

It is a double rack and pinion lever with locking device function. It is a very robust lever used in heavy duty applications with high load transmissions. It is therefore suitable on concrete mixers and vibrating machines. Two push-pull cables can be connected.



CODING SYSTEM

BASIC CODE	STROKE CABLE BRACKET SIDE	STROKE CABLE LEVER SIDE	CUSTOMIZATION
920	.AA	.BB	.XX

AA defines the cable strokes of cable bracket side:

- 00 = stroke 75
- 01 = stroke 100
- 02 = stroke 125
- 03 = stroke 150
- 04 = stroke 200

BB defines the cable strokes of cable lever side:

- 00 = stroke 75
- 01 = stroke 100
- 02 = stroke 125
- 03 = stroke 150
- 04 = stroke 200

XX customization

CABLES WHICH FIT WITH LEVERS 920 & 930

Type	A	F
07, 07E	Rack with external connection to the pipe	M6x1
V6	Rack with external connection to the pipe	M6x1
V7	Rack with external connection to the pipe	M6x1
V8	Rack with external connection to the pipe	M8x1.25
Flexball 70	Rack with external connection to the pipe	M6x1
Flexball 95	Rack with external connection to the pipe	M10x1.5

Note: Cable's engine side can be configured with any shape as shown at page 16 of "Industrial Products" catalogue.



Flexball Italiana S.r.l.

Via San Luigi 13/A - 10043 Orbassano (To) - Italy

Tel 0039.011 90.38.900 - Fax 0039.011 90.38.747
info@flexballitaliana.com

www.flexballitaliana.com

FLEXBALL
ITALIANA

WR CONTROLS GROUP

