

350 Multilever control

It is a very simple and modular control system that can be used either as throttle or gearbox command lever in different combinations. Maximum system configuration is 6 control levers.

TECHNICAL FEATURES

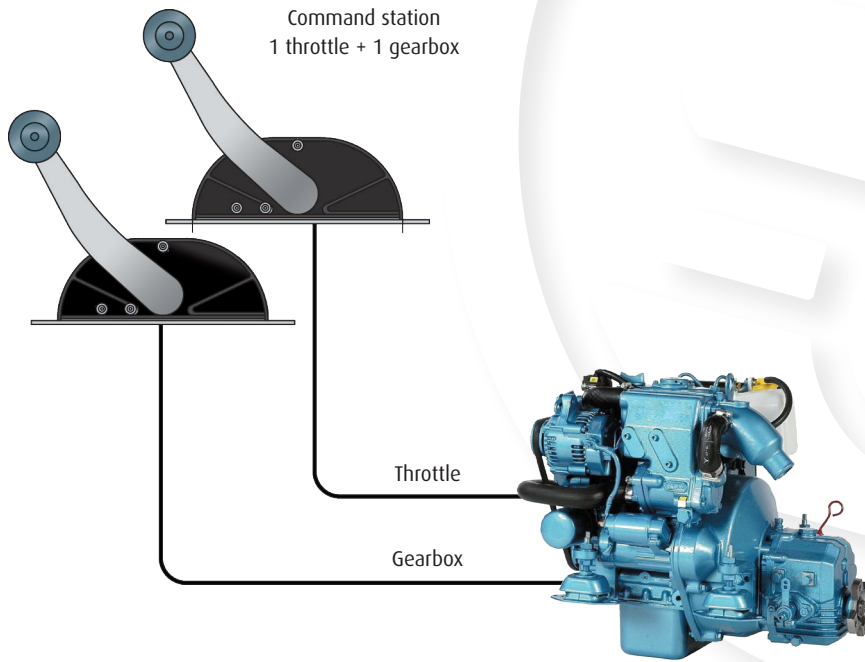
- available with different lever lengths
- suitable for application on off-shore boats
- internal mechanism in stainless steel
- moving on bushes
- external house in aluminium black painted
- fixing mask in stainless steel polished.



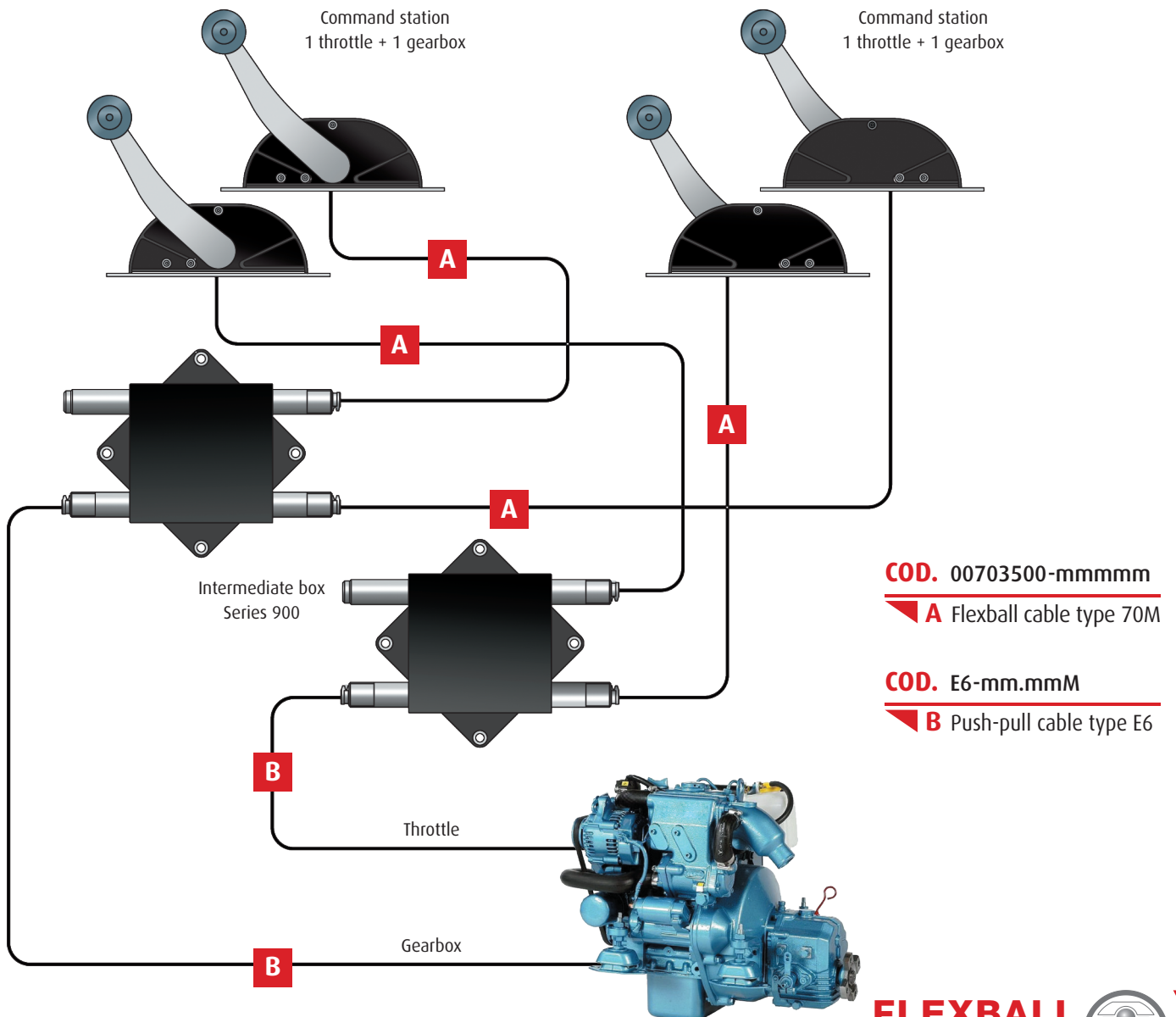
PRODUCT RANGE

DESCRIPTION	CODE
Lever for throttle command	
• Control unit with lever L=180 mm, push version	350.00
• Control unit with lever L=150 mm, push version	350.01
• Control unit with lever L=125 mm, push version	350.02
• Control unit with lever L=200 mm, push version	350.03
• Control unit with lever L=180 mm, pull version	351.00
• Control unit with lever L=150 mm, pull version	351.01
• Control unit with lever L=125 mm, pull version	351.02
• Control unit with lever L=200 mm, pull version	351.03
Lever for gearbox command	
• Control unit with lever L=180 mm, push version	355.00
• Control unit with lever L=150 mm, push version	355.01
• Control unit with lever L=125 mm, push version	355.02
• Control unit with lever L=200 mm, push version	355.03
• Control unit with lever L=180 mm, pull version	356.00
• Control unit with lever L=150 mm, pull version	356.01
• Control unit with lever L=125 mm, pull version	356.02
• Control unit with lever L=200 mm, pull version	356.03
Accessories	
• Fixing mask for single lever	1135.01
• Fixing mask for two levers	1135.02
• Fixing mask for three levers	1135.03
• Fixing mask for four levers	1135.04
• Fixing mask for five levers	1135.05
• Fixing mask for six levers	1135.06

INSTALLATION SCHEME FOR ONE COMMAND STATION

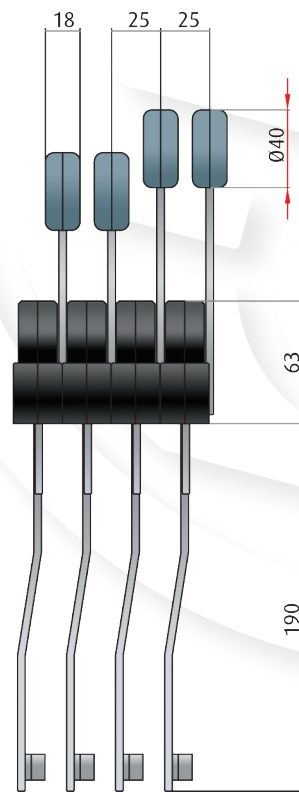
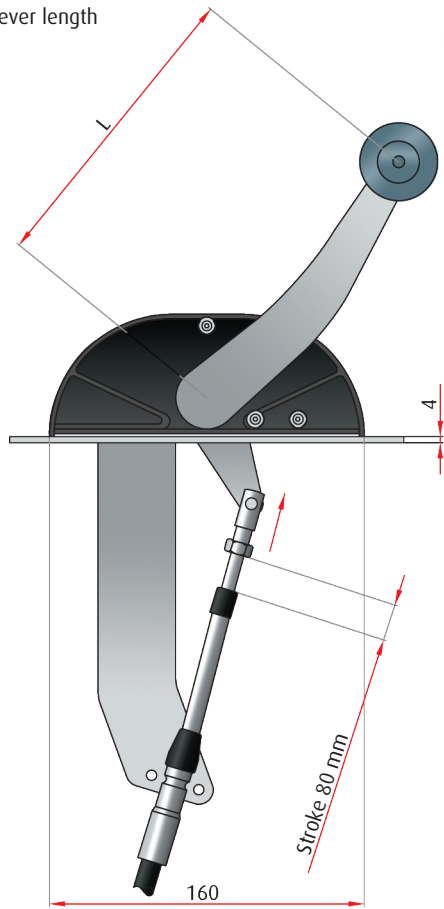


INSTALLATION SCHEME FOR TWO COMMAND STATIONS

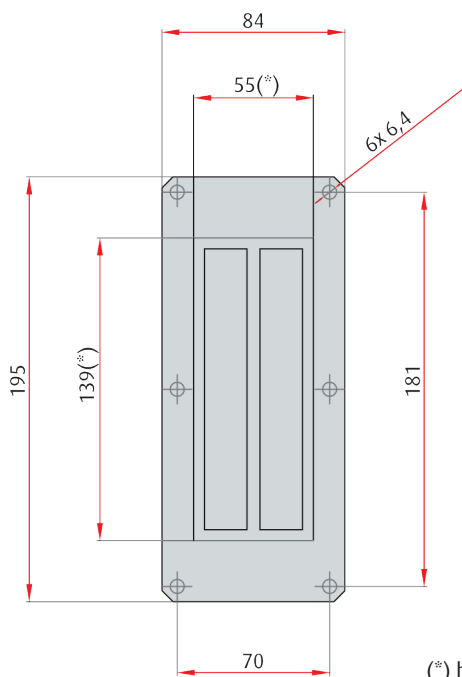


DIMENSIONS AND DRILLING MASKS

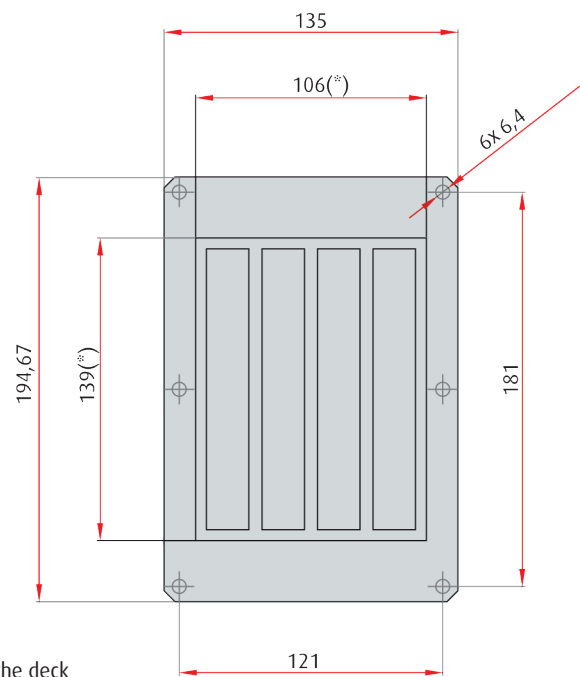
L = lever length



DRILLING MASK FOR TWO LEVERS



DRILLING MASK FOR FOUR LEVERS



(*) hole to be cut to on the deck





Flexball Italiana S.r.l.

Via San Luigi 13/A - 10043 Orbassano (To) - Italy

Tel 0039.011 90.38.900 - Fax 0039.011 90.38.747
info@flexballitaliana.com

www.flexballitaliana.com

FLEXBALL
ITALIANA

WR CONTROLS GROUP

