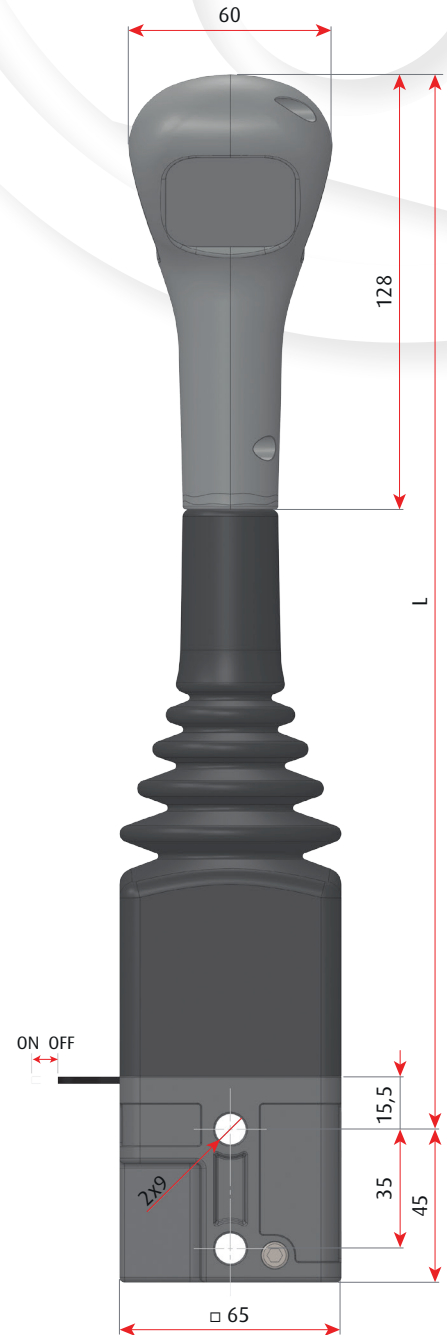


# 2900 Mechanical joystick

This series of economic joysticks, made of aluminum, is suitable for agricultural application such as front loaders. Thanks to its modular construction, it can be configured for any application's

requirements like clockwise or counter clockwise with respect to cable movements. It is available with maximum 7 push buttons, either high current and low current.



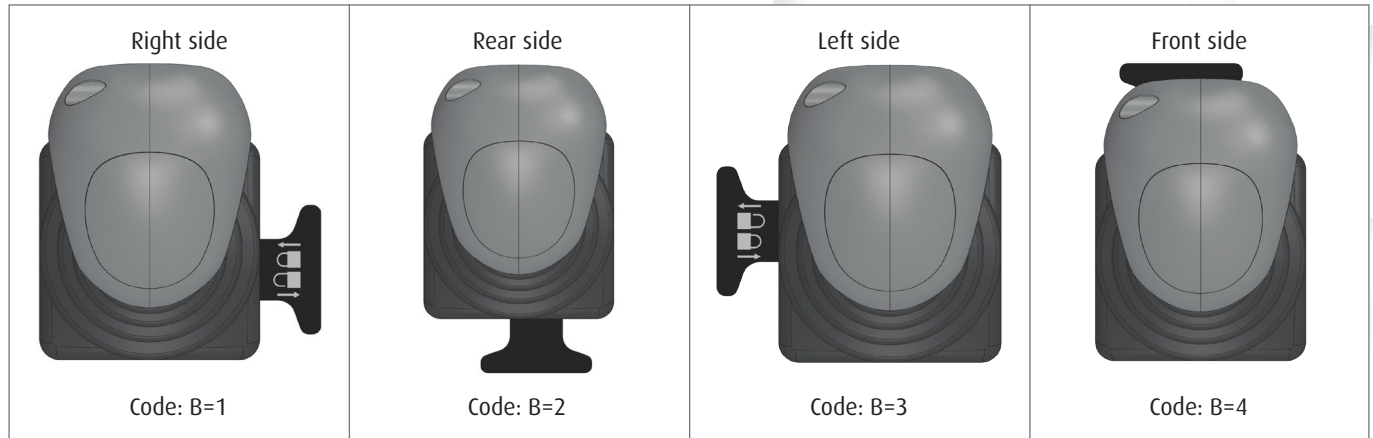
## SPECIFICATION

- Cable stroke:  $\pm 14$  mm
- Lever ratio (depending on lever's length): either 6,5:1
- Lever angle:  $\pm 23^\circ$



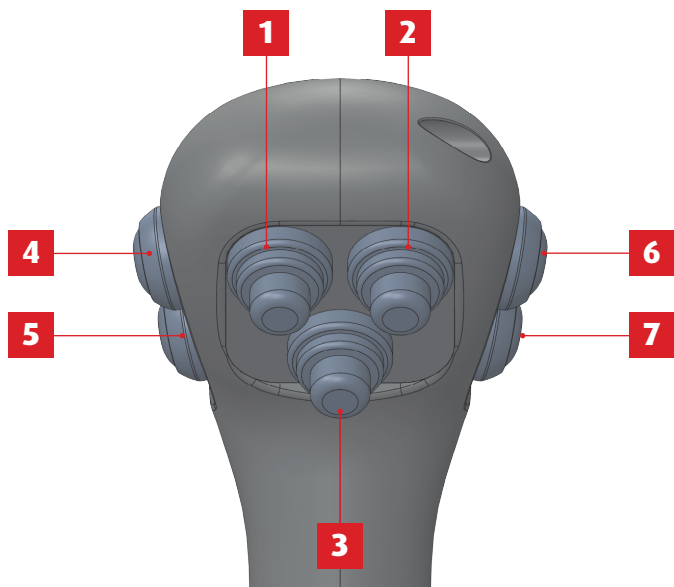
### LOCK LEVER POSITION

It is possible to mount the lock lever on each of the 4 sides of the base of the joystick 2900.

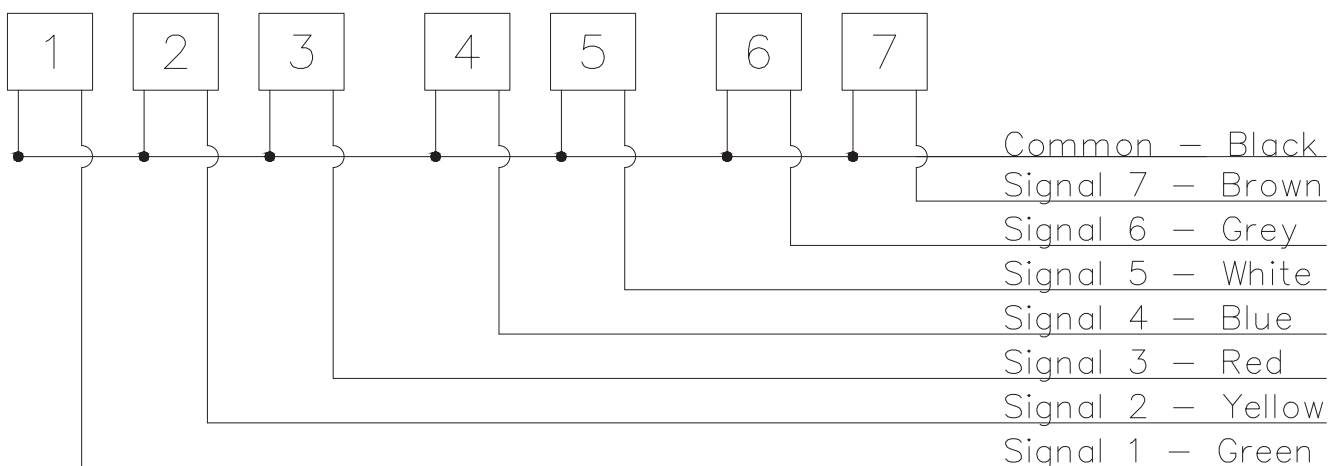


### HANDLE AND PUSH BUTTONS

The handle of joystick 2900 can have up to 7 push buttons, either high current and low current, according to the table here below. Electrical cable standard length is 2 meter.



| Ref | Push-button high current (4 A) | Push-button low current (400 mA) |
|-----|--------------------------------|----------------------------------|
| 1   | X                              | X                                |
| 2   | X                              | X                                |
| 3   | X                              | X                                |
| 4   |                                | X                                |
| 5   |                                | X                                |
| 6   |                                | X                                |
| 7   |                                | X                                |



## CODINGSYSTEM

| DEVICE |   |   |   |   | BLOCK LEVER | STICK LENGTH | HANDLE |   | PUSH-BUTTON |    |   | SPECIAL CUSTOM PROJECTS |   |
|--------|---|---|---|---|-------------|--------------|--------|---|-------------|----|---|-------------------------|---|
| D      | D | D | D | - | B           | L            | K      | . | P1          | P2 | . | X                       | X |

|   |   |   |   |
|---|---|---|---|
| D | D | D | D |
|---|---|---|---|

define the product and the joystick version:

DDDD = 2900 standard version

|   |
|---|
| B |
|---|

defines the lock lever position:

B = 1 right side

B = 2 rear side

B = 3 left side

B = 4 front side

|   |
|---|
| L |
|---|

defines the length of the stick:

L = 0 no stick

L = 1 for L = 310 mm

L = 2 for customized length

|   |
|---|
| K |
|---|

defines the type of handle (for the handles please refer to chapter 7):

K = 0 without handle

K = 1 handle type 1705 (standard)

K = 2 handle type 1710 (anatomic)

K = 3 handle type 1715 (rear)

K = 4 handle type 1721 (rear grey)

K = 5 handle type 1720 (rear black)

K = 6 handle type 1725 (ergonomic)

K = 7 handle type 1730 (ergonomic XL)

|    |    |
|----|----|
| P1 | P2 |
|----|----|

define the number and type of push buttons

P1 = number of push buttons low current (400 mA)

P2 = number of push buttons high current (4 A)

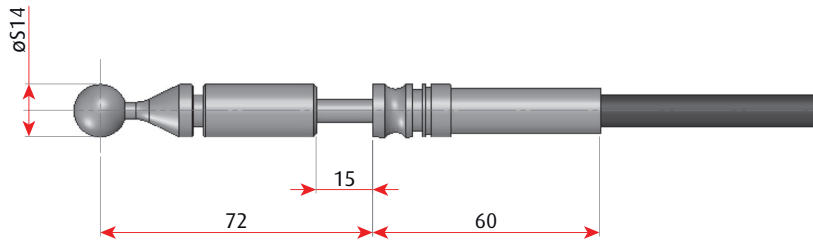
|   |   |
|---|---|
| X | X |
|---|---|

numbering system from 0 to 99 is used to define special projects, cable length, type of connector, special push buttons and their position, dead man function, etc...

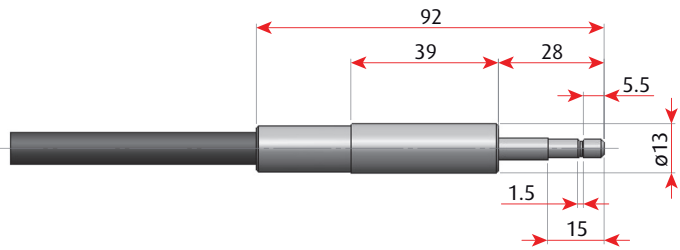


PUSH-PULL CABLES WHICH FIT WITH JOYSTICK 2800 AND 2900

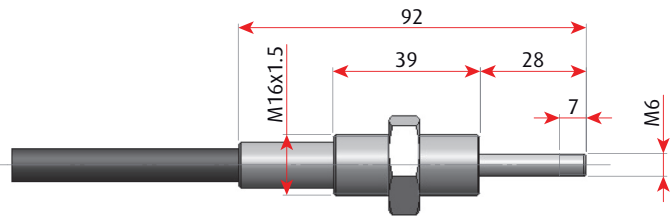
LEVER SIDE



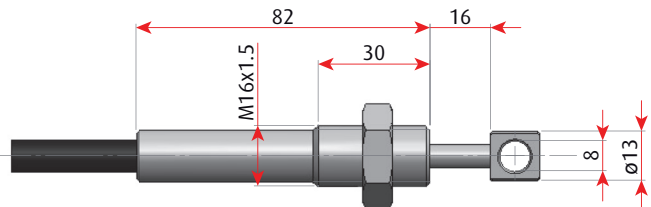
- The end fittings are represented with the cable at mid stroke position



▲ Cable type E3, code 0035730-mmmmm



Cable type E3, code 00341100-mmmmm  
 Cable type 07E, code 00741100\*mmmmmm  
 ▲ Cable type 017, code 01041100-mmmmm



▲ Cable type 017, code 0175940-mmmmm

HYDRAULIC DISTRIBUTOR SIDE



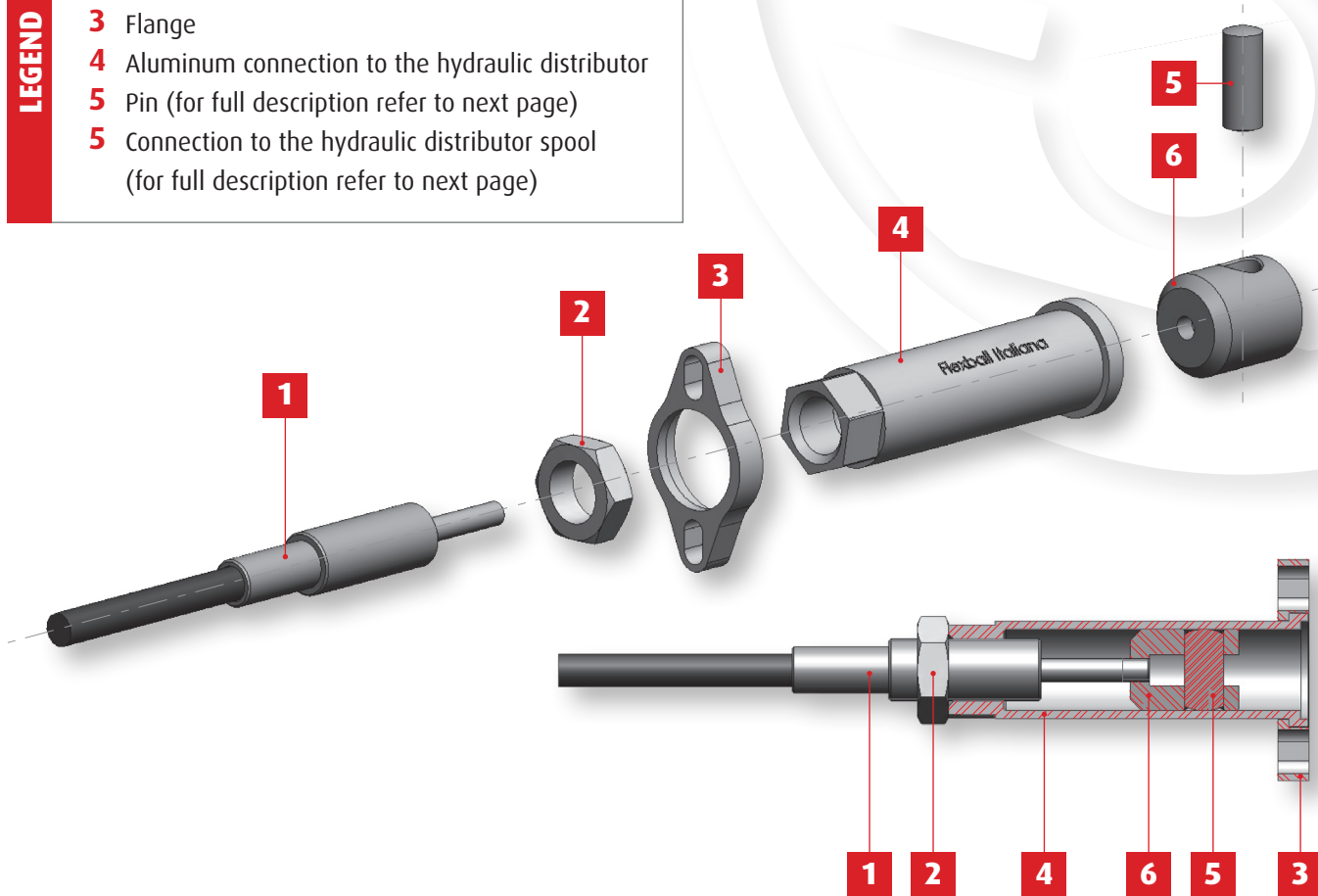
## CONNECTING KITS

It is available a wide range of adaptation kits to connect our control cables to the majority of the hydraulic distributors available on the market.

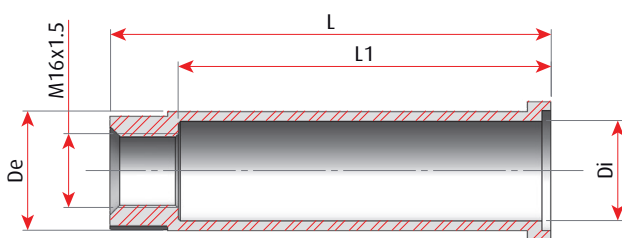
### Connecting kits with separate flange

#### LEGEND

- 1 Push-pull cable with hub M16x1.5 and rod M6
- 2 Nut M16x1.5
- 3 Flange
- 4 Aluminum connection to the hydraulic distributor
- 5 Pin (for full description refer to next page)
- 6 Connection to the hydraulic distributor spool (for full description refer to next page)

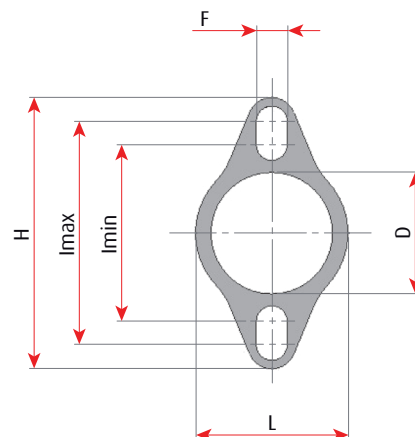


Aluminium connection tube



| Code            | Di | De | L    | L1   |
|-----------------|----|----|------|------|
| D-0099.30.01.13 | 21 | 29 | 92.5 | 78.2 |

Aluminium flange



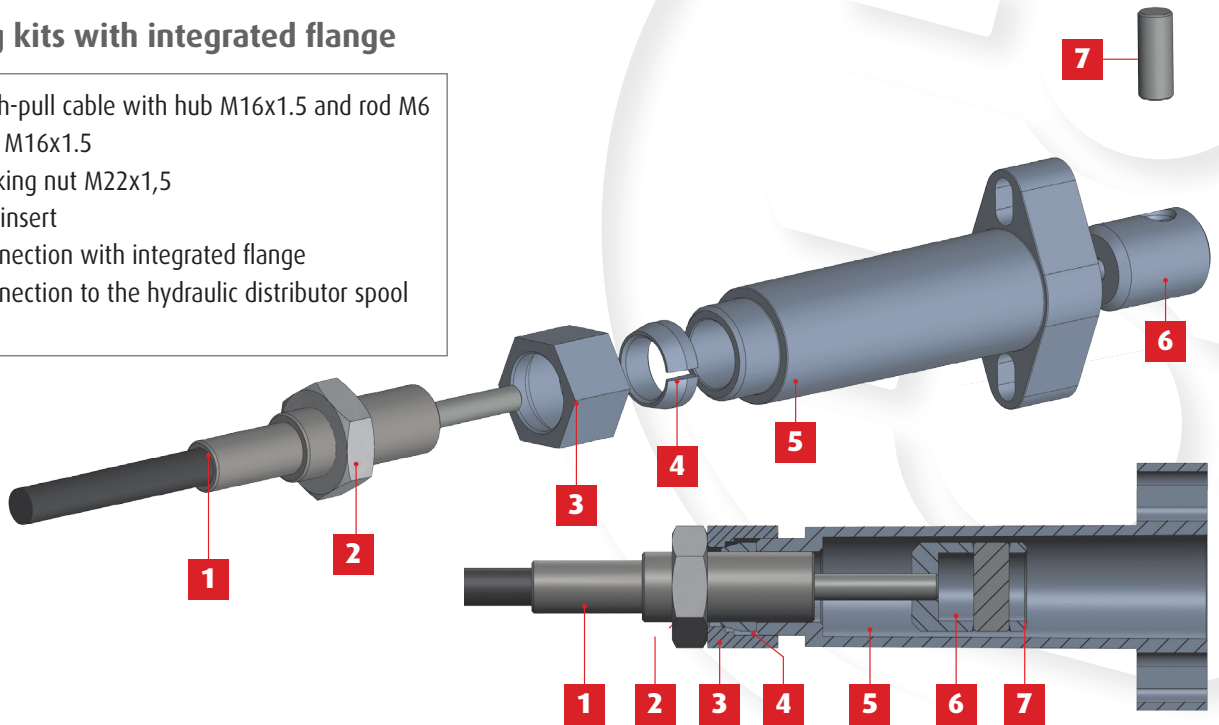
| Code            | D    | F   | H  | Imin | Imax | L  |
|-----------------|------|-----|----|------|------|----|
| D-0099.30.01.12 | 25.2 | 5.6 | 46 | 33.8 | 37.3 | 33 |
| D-0099.30.02.13 |      | 6.5 | 57 | 40   | 46.8 | 34 |



### Connecting kits with integrated flange

**LEGEND**

- 1 Push-pull cable with hub M16x1.5 and rod M6
- 2 Nut M16x1.5
- 3 Locking nut M22x1,5
- 4 Cut insert
- 5 Connection with integrated flange
- 6 Connection to the hydraulic distributor spool
- 7 Pin



| Flange with 2 holes |    |      |     |    |     |      |      | Flange with 4 holes |    |      |     |    |     |      |      |      |
|---------------------|----|------|-----|----|-----|------|------|---------------------|----|------|-----|----|-----|------|------|------|
| Code                | De | Di   | L   | L1 | F   | Imin | Imax | Code                | De | Di   | L   | L1 | F   | I    | Ix   | Iy   |
| D-0099.30.36.46     | 27 | 22.5 | 102 | 87 | 6,2 | 36   | 46   | D-0099.30.01.19     | 28 | 22.5 | 90  | 76 | 5,2 | 34,6 | 24,5 | 24,5 |
|                     |    |      |     |    |     |      |      | D-0099.30.01.23     | 27 | 22,5 | 102 | 87 | 5,5 | 39   | 26   | 29   |

### Connection to the valve spool

| Connection to the spool |    |     |      |    |   | Pin             |   |    |
|-------------------------|----|-----|------|----|---|-----------------|---|----|
| Code                    | D  | d   | Di   | L  | I | Code            | D | L  |
| D-0099.30.00.01         | 20 | 6   | 15.5 | 26 | 8 | D-0099.30.06.02 | 6 | 19 |
| D-0099.30.00.08         | 20 | 8   |      | 26 | 8 | D-0099.30.04.04 | 8 | 19 |
| D-0099.30.00.25         | 20 | 7-9 |      | 26 | 8 | D-0099.30.04.05 | 9 | 19 |

**Flexball Italiana S.r.l.**

Via San Luigi 13/A - 10043 Orbassano (To) - Italy

Tel 0039.011 90.38.900 - Fax 0039.011 90.38.747

info@flexballitaliana.com

www.flexballitaliana.com

**FLEXBALL**  
ITALIANA

WR CONTROLS GROUP

