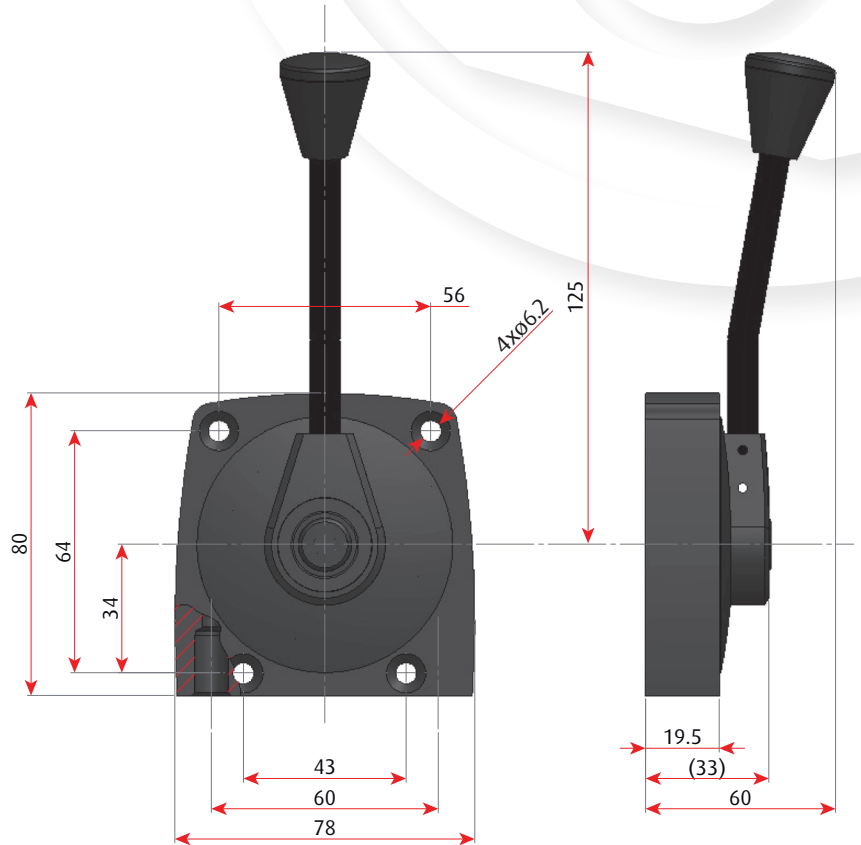


410 Mechanical control lever

Control lever series 410 is a simple and robust lever side mounting with adjustable friction

It is normally used for the command of the throttle and for the engine stop. It is available in pull and push-pull version. The lever is made of aluminium and has a maximum stroke of 70 mm. The O-ring offers a high sealing protection.



VERSIONS & CODES

Lever 410 is available in many different positions and configuration. It can be connected to a big variety of cables. It follows a list of codes according to the different lever versions. At page 34 of "Industrial Products" catalogue it follows a list of the cables which can be connected to this lever.

Version	Thread A	Outgoing cable position	Code
Pull	M10x1	Right	41022.10-00-0
	1/8 gas	Right	41022.30-00-0
	M10x1	Left	41022.10-00-1
	1/8 gas	Left	41022.30-00-1
Push-pull	M10x1	Right	41022.10-10-0
	1/8 gas	Right	41022.30-10-0
	M10x1	Left	41022.10-10-1
	1/8 gas	Left	41022.30-10-1

CABLES FOR LEVERS SERIES 410 AND 415

Type	A	Code
Push-pull	M10	0025114-mmmmm
Push-pull	1/8 gas	0025110-mmmmm
Pull	M10	0205114-mmmmm
Pull	1/8 gas	0205110-mmmmm

Type	A	F	Code
Push-pull	M10	10/32	0025118-mmmmm
Push-pull	1/8 gas	10/32	0025119-mmmmm
Push-pull	M10	M5	0025118-5-mmmmm
Push-pull	1/8 gas	M5	0025119-5-mmmmm

Type	A	F	Code
Push-pull	M10	10/32	0025116-mmmmm
Push-pull	1/8 gas	10/32	0025117-mmmmm
Push-pull	M10	M5	0025116-5-mmmmm
Push-pull	1/8 gas	M5	0025117-5-mmmmm

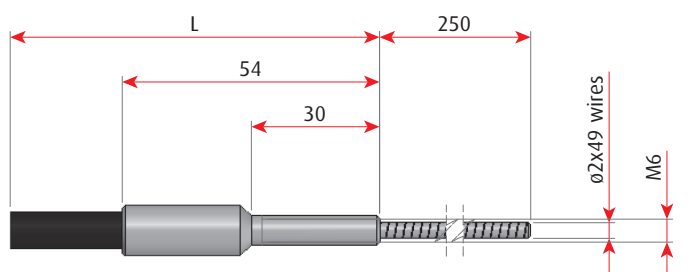
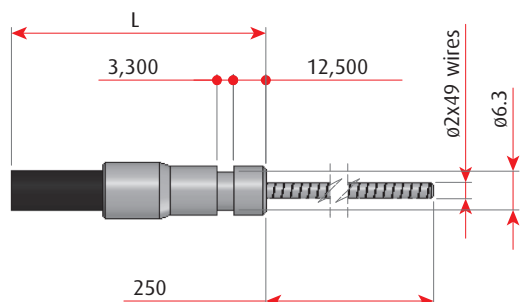
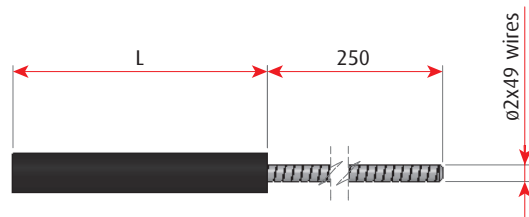
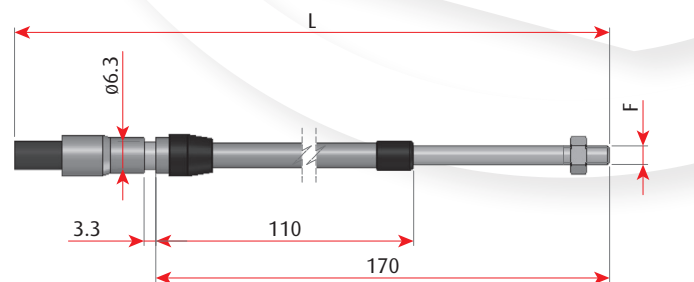
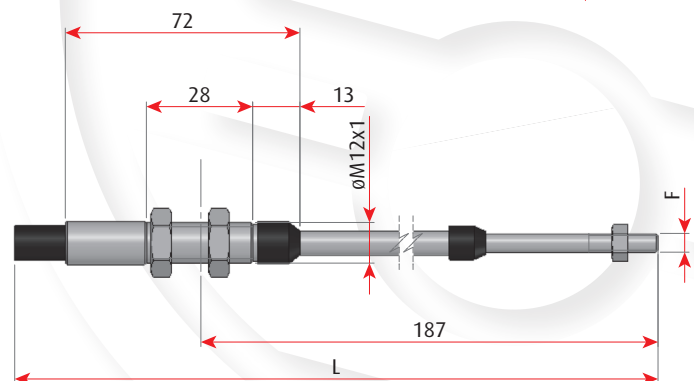
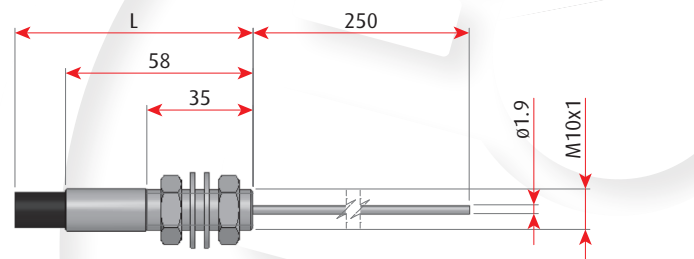
Type	A	Code
Pull	M10	02051111-mmmmm
Pull	1/8 gas	0205113-mmmmm

Type	A	Code
Push-pull	M10	0025111-mmmmm
Push-pull	1/8 gas	00251115-mmmmm
Pull	M10	0205111-mmmmm
Pull	1/8 gas	0205110-mmmmm

Type	A	Code
Pull	M10	02051114-mmmmm
Pull	1/8 gas	02051116-mmmmm

Notes:

- "A" specifies cable lever side thread
- "F" specifies cable engine side thread
- "mmmm" is the length of the cable in mm



Cables are shown at mid stroke position

Flexball Italiana S.r.l.

Via San Luigi 13/A - 10043 Orbassano (To) - Italy

Tel 0039.011 90.38.900 - Fax 0039.011 90.38.747

info@flexballitaliana.com

www.flexballitaliana.com

FLEXBALL

ITALIANA

WR CONTROLS GROUP

